













INDUSTRIAL PRODUCT CATALOG

2023
www.hscwater.com

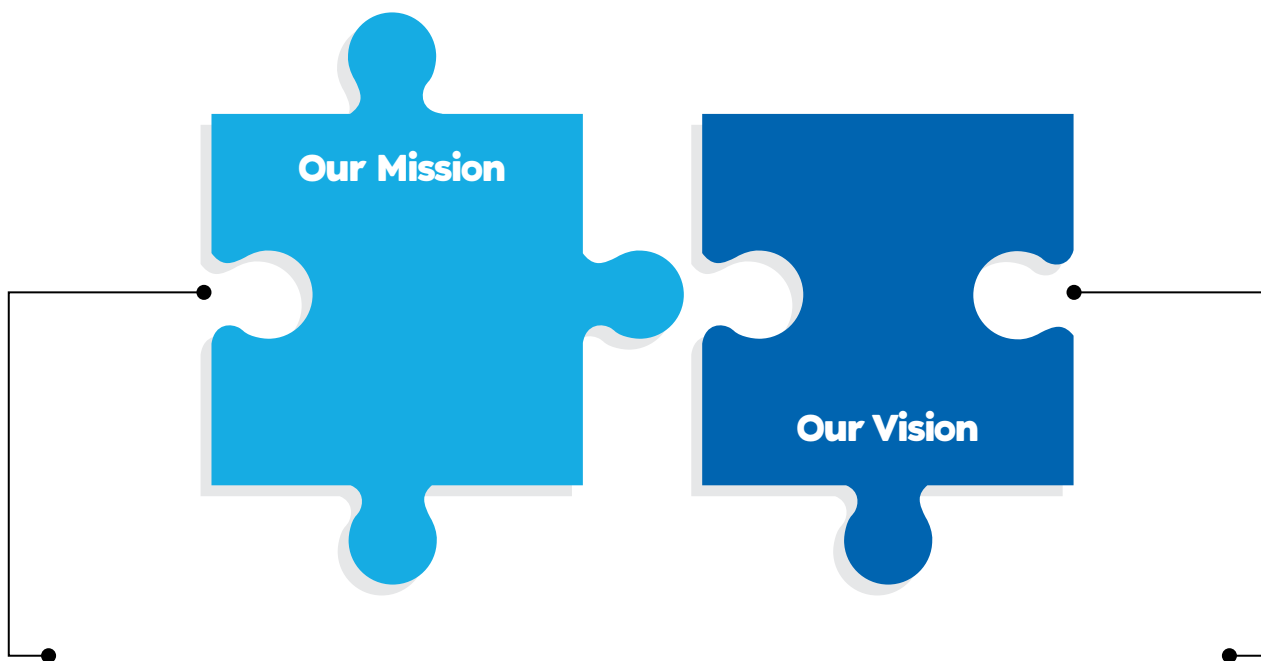


VALVE & ACCESSORIES 	TANK & ACCESSORIES 	CABINET SYSTEMS 	MINERALS & CHEMICAL & BRINE TANK AND ACCESSORIES 	FILTER & FILTER HOUSINGS 
DOSAGE PUMP & ACCESSORIES 	ULTRAVIOLET SYSTEMS & ACCESSORIES 	MEMBRANES & ACCESSORIES 	AUTOMATIC FILTRATION SYSTEMS 	HIGH PRESSURE PUMPS 



HSC WATER

INDUSTRIAL PRODUCT CATALOG



Our Mission

Our Mission is to provide “Value for Products” and establish trustworthy long term relations with the Clients and Suppliers. As well as deliver superior quality product and offer technical service to our customers in both Residential & Industrial Sections of Water Treatment fields.

Our Vision

Our vision is to always develop and produce reliable, high quality products at an affordable price.



HSC WATER



UNITED STATES OF AMERICA, RUSSIA, ARGENTINA, GERMANY, SWITZERLAND, ROMANIA, GREECE, IRAQ, IRAN, ALGERIA, TUNISIA, CYPRUS, AZERBAIJAN, TURKMENISTAN, JORDAN, U.A.E., SYRIA, EGYPT, KYRGYZSTAN, ENGLAND, MONGOLIA, UZBEKISTAN, KENYA, MOROCCO, etc...

TORAY

ROPUR

VONTRON

CSM

HFT

FLOTROL

Clack

RUNXIN

PENTAIR X-FLOW

PENTAIR AQUALINE

PENTAIR CODELINE

SIATA
Pentair Water™

FLECK

LightTech

Canature

NUER T
DRIVING LIQUID POWER

SEKO

CNP

QUASTRONG
Watering the Life



INDEX

EVERYTHING ABOUT WATER...

4-21 VALVE & ACCESSORIES

- 4 Clack Valves
- 5-7 Clack Spare Parts
- 8 BNT Valves
- 8-9 Flotrol Valves
- 10 Flotrol Spare Parts
- 10-13 Fleck Spare Parts
- 14 Runxin Valves
- 15 Runxin Spare Parts
- 15 Manual Valves
- 16-17 HFT Manual & Actuated Valves
- 20 Water Distributors
- 21 Diffuser - Pipes - Aircheck - Diaphragm Valves

18-19 TANK & ACCESSORIES

- 18 HFT Tanks
- 19 Tank Accessories

22-23 CABINET SYSTEMS

- 22 HFT Cabinet Water Softener Systems
- 23 23 S1 - S3 - S4 Cabinet Water Softener Systems

24-25 BRINE & CHEMICAL TANK AND ACCESSORIES

- 24 Stainless Steel Jacket tank
- 24 Brine Tank Accessories
- 24 Venturi
- 24 Chlorine Tanks
- 25 Brine Tanks

26-27 MINERAL & CHEMICALS

- 26 Carbon - Resin - Filtration Minerals
- 27 Kits and Chemicals

28-33 FILTER & FILTER HOUSINGS

- 28-29 Filter Housing - Bigblue Filter Housing
- 30 Washable Filter
- 31 PP Filter
- 32 Yarn Filter - Cto Filter
- 33 Gac Carbon Filter

34-43 INDUSTRIAL FILTERS

- 34 Aquaflex UF Module and Spare Parts
- 35 X-Line UF Module and Spare Parts
- 36 Pentair Aqualine Filter
- 36 Filterone Filter
- 36 Ultrafiltration and MBR
- 38-39 High Flow Filtration Systems and Spare Parts
- 40 Separator Filters
- 40 Automatic Blowdown Valves
- 41 Bag Filters
- 42 Multiple Cartridge Filters
- 43 SFS PVC Filters

44-47 SEKO DOSAGE PUMP & ACCESSORIES

- 44-45 Dosage Pumps
- 46-47 Dosage Pumps Spare Parts
- 47 Cold Water Meter

48-49 ULTRAVIOLET SYSTEMS & ACCESSORIES

- 48 Ultraviolet Systems
- 48 Ultraviolet Spare Parts
- 49 UV Lamp
- 49 Quartz Glass

50-61 MEMBRANES AND ACCESSORIES

- 50-53 Vontron Membranes
- 54-55 Toray Membranes
- 56-57 CSM Membranes
- 58 HFT Membranes
- 58 Ropur Antiscalants
- 59 Peak Membrane Housings
- 59 HFT Membrane Housings
- 60 Codeline Membrane Housings
- 60 HFT SS304 Membrane Housings
- 61 Codeline Membrane Housings Spare Parts

62-67 R.O. SPARE PARTS

- 62 R.O. Pumps
- 62 R.O. Motors
- 63 Electric Motors Valves
- 63 Needle Valves
- 63 Coupling & Open Ends
- 64 R.O. Spare Parts
- 64 R.O. Optional Parts
- 65 Flowmeters
- 66-67 R.O. Control Panels

68-90 AUTOMATIC FILTRATION SYSTEMS

- 68-69 Ultrafiltration Systems
- 70-75 Reverse Osmosis Systems
- 76-77 Sand Filter Systems
- 78-79 Glass Filter Systems
- 80-81 Activated Carbon Filter Systems
- 82-83 Birm Filter Systems
- 84-85 Time Controlled Softener Systems
- 86-87 Flow Controlled Softener Systems
- 88-89 Tandem Softener Systems
- 90 Remineralization Sytems
- 90 Wastewater Systems
- 90 Hydro UF Gray Water Series

92-97 HIGH PRESSURE PUMPS

- 92 CNP CDLF - CDL Series
- 93-95 CNP CHL - CHLF Series
- 96 Aquastrong ROS Series
- 97 Aquastrong EVS Series



WS 1 SERIES

Stock Code	Product Descriptions	Connection m ³ /h	Connection	Tank Connection	Tank	
1-CLK-V1TCBTZ-03	WS1 TC Filter Valve	6,1	1"	2 ½"	6"-21"	
1-CLK-V1TCDTH-03	WS1 TC Softener Valve	6,1	1"	2 ½"	6"-21"	
1-CLK-V1EIDMH-03	WS1 EI Volumetric Softener Valve	6,1	1"	2 ½"	6"-21"	
1-CLK-VTT1EIDMH-03	WS1 Dublex Softener Valve	6,1	1"	2 ½"	6"-21"	

WS 125 SERIES

Stock Code	Product Descriptions	Connection m ³ /h	Connection	Tank Connection	Tank	
1-CLK-V125TCBTZ-08	WS125 TC Filter Valve	7,7	1 ¼"	2 ½"	6"-21"	
1-CLK-V125TCDTI-08	WS125 TC Softener Valve	7,7	1 ¼"	2 ½"	6"-21"	
1-CLK-V125CIDME-08	WS125 EI Volumetric S. Valve	7,7	1 ¼"	2 ½"	6"-21"	
1-CLK-V125EI	WS125 EI Dublex Soft. Valve	7,7	1 ¼"	2 ½"	6"-21"	

WS 15 SERIES

Stock Code	Product Descriptions	Connection m ³ /h	Connection	Tank Connection	Tank	
1-CLK-V15EIBTZ-05	WS15 EI Filter Valve	15,9	1 ½"	4"	12"-30"	
1-CLK-V15EIDTG-05	WS15 EI Softener Valve	15,9	1 ½"	4"	12"-30"	
1-CLK-V15EIDMH-05	WS15 EI Volumetric Valve	15,9	1 ½"	4"	12"-30"	
1-CLK-V15EI	WS15 Dublex Softener V.	15,9	1 ½"	4"	12"-30"	

WS 2 SERIES

Stock Code	Product Descriptions	Connection m ³ /h	Connection	Tank Connection	Tank	
1-CLK-V2EIBTZ-05	WS2 EI Filter Valve	26,1	2"	4"	18"-36"	
1-CLK-V2EIDTD-05	WS2 EI Softener Valve	26,1	2"	4"	18"-42"	
1-CLK-V2EIDMG-05	WS2 EI Volumetric Valve	26,1	2"	4"	18"-42"	
1-CLK-V2EI	WS2 EI Dublex Valve	26,1	2"	4"	18"-42"	

WS 2 QC SERIES

Stock Code	Product Descriptions	Connection m ³ /h	Connection	Tank Connection	Tank	
1-CLK-V2EIBTZ-18	WS2 QC EI Filter Valve	28,3	2"	4"	18"-36"	
1-CLK-V2EIDTD-18	WS2 QC EI Softener Valve	28,3	2"	4"	18"-42"	
1-CLK-V2EIDMH-18	WS2 QC EI Volumetric Valve	28,3	2"	4"	18"-42"	
1-CLK-V2EI-18	WS2 QC EI Dublex Valve	28,3	2"	4"	18"-42"	



ALTERNATORS AND SPARE PARTS

Stock Code	Product Descriptions
1-95-V3069MM-01	1" / 1,25" Dublex Alternator (Male x Male)
1-95-V3069FF-01	1" / 1,25" Dublex Alternator (Female x Female)
1-95-V3071BSPT	1,5" Dublex Alternator
1-95-V3076BSPT	2" Dublex Alternator
1-95-V3474	Lowerernator Ara Connection Cable
1-95-V3191-01	WS1 Bypass Vertical Adapter Asy

FLOWMETERS

Stock Code	Product Descriptions
1-95-V3003	WS1 Flowmeter (Short Wire)
1-95-V3040BPST-15	WS15 Flowmeter (Cable Included)
1-95-V3094BPST-15	WS2 Flowmeter (Cable Included)

PISTON & GASKET SETS

Stock Code	Product Descriptions
1-95-V3011	WS1 Piston Downflow Asy
1-95-V3407	WS15 Piston Downflow Asy
1-95-V3725	WS2 Piston Downflow Asy
1-95-V3005	WS1 Spacer Stack Asy (O-Ring Set)
1-95-V3430	WS15 Spacer Stack Asy (O-Ring Set)
1-95-V3729	WS2 Spacer Stack Asy (O-Ring Set)
1-95-V3174	WS1 Regenerant Piston
1-95-V3726	WS2 Brine Piston Asy

BYPASS VALVES

Stock Code	Product Descriptions
1-95-V3070FM	WS1 / WS125 No Hard Water Bypass
1-95-V3098BSPT	WS2 No Hard Water Bypass Male x Female



WS 1



WS 125



WS 15



WS 2

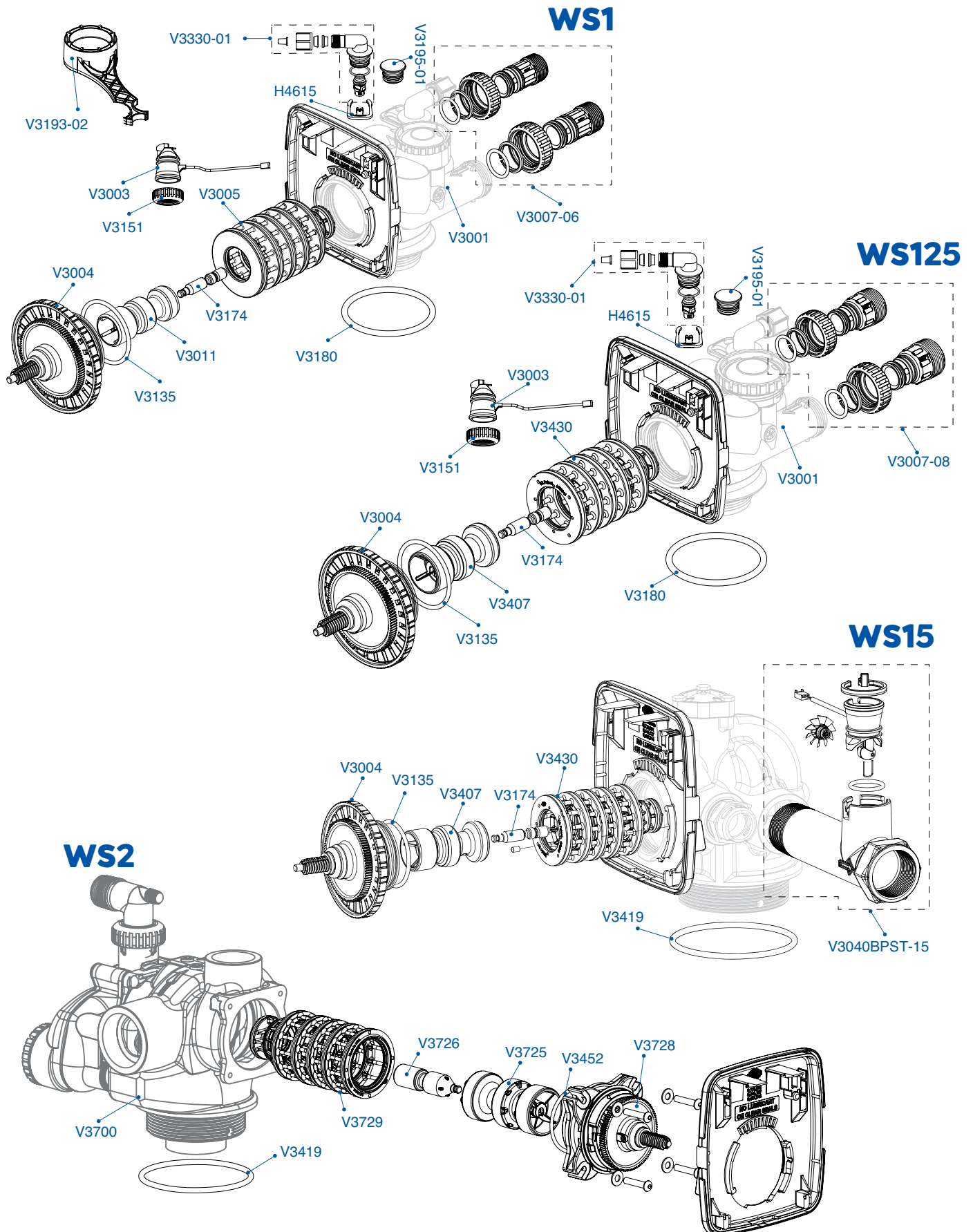


WS 2 QC





SPARE PARTS





SPARE PARTS

Stock Code	Product Descriptions	
1-95-1"-ÜST	Top Diffuser WS1 D1203 (27)	
1-95-1"-ÜST-32	Top Diffuser WS1 (32)	
1-95-1"-ALT	Bottom Diffuser WS1 (27)	
1-95-V3186EU	Adapter 15 V.	
1-95-V3007-06	WS1 Plastic Male Asy (1")	
1-95-V3007-08	WS125 Plastic Male Asy (1 ¼")	
1-95-V3162	WS1 DLFC ¾" (022 - 100)	
1-95-V3190	WS1 DLFC 1" (110 - 250)	
1-95-V3080BSPT	WS15 DLFC Asy	
1-95-V3010	WS1 Injector (1A / 1K)	
1-95-V3010-1Z	WS1 Injector Z Plug	
1-95-V3010-15	WS15 Injector (WS15 / 2L - F / H)	
1-95-V3010-2	WS2 Injector (30" - D / G)	
1-95-V3193-02	Switch Key	
1-95-V3006	WS1 Bypass Valve	
1-95-V3818TC-BOARD	TC Board (3 Button)	
1-95-V3408EI-04BOARD	EI Board (4 Button)	
1-95-V3175EI-01	WS1 EI Front Cover Easy Black (Outer Cover)	
1-95-V4017-01	WS1 TTEI Interconnection Set < 10"	
1-95-V4052-01	WS1 TTEI Interconnection Set 12" - 21"	
1-95-V3004	WS1 Drive Cap Asy	
1-95-V3728	WS2 Drive Cap Asy	
1-95-V3107-01	WS1 Motor Asy	
1-95-V3009	WS1 Auxiliary Microswitch (WS1 - WS125 - WS15)	
1-95-V3017	WS2 Service Or Fill Switch Asy (WS2)	
1-95-V3008-04	WS1 Drain Fitting	
1-95-V3008-05	WS2 Drain Fitting Male NPT	
1-95-V3330-01	WS1 Brine Elbow	
1-95-H4612	WS15 Brine Elbow	
1-95-H4615	Elbow Locking Clips	
1-95-V3001	WS1 Body	
1-95-V3151	WS1 Nut 1"	
1-95-V3158-01	WS1 ¾" Drain Elbow	
1-95-V3195-01	WS1 Refill Port Plug Asy	
1-95-V3192	WS1 Drain Nut 3/8"	
1-95-V3031	T1 Body Shaft Water Regeneration (WS1 Dublex Body)	
1-95-V3109	WS1 Drive Gear Cover	
1-95-V3110	WS1 Drive Reducing Gear	
1-95-V3178	WS1 Drive Back Plate	
1-95-D1400	WS1 Tandem 1191 in / Out Head (2. head)	
1-95-V4016 T1	WS1 Tandem Transfer Seal	



BNT Series

Stock Code	Product Descriptions	Valve Flow m ³ /h	Connection	Tank Connection
1-BNT-56 FILTER	BNT651 Filter Valve	2,5	1"	2 ½"
1-BNT-56 TIMER	BNT650 T Softener Valve - Timer	2,5	1"	2 ½"
1-BNT-56 METER	BNT650 Softener Valve - Flow Control	2,5	1"	2 ½"
1-BNT-56 DIGI FILTER	BNT Digital Filter Valve	2,5	1"	2 ½"
1-BNT-56 DIGI TIMER	BNT Digital Softener Valve - Timer	2,5	1"	2 ½"
1-BNT-56 DIGI METER	BNT 1650F Digital Softener Valve - Meter	2,5	1"	2 ½"



BNT651



BNT650T



BNT650 METER



BNT1650 F

F30 Series (2750)



Stock Code	Product Descriptions	Valve Flow m ³ /h	Connection	Tank Connection
1-FLT-F30F	Filter Valve F27	5	1"	2 ½"
1-FLT-F30T	1700 Timer Valve T27	5	1"	2 ½"
1-FLT-F30F-NXT	Digital Nxt Filter Valve F27	5	1"	2 ½"
1-FLT-F30T-NXT	Digital Nxt 1700 Timer T27	5	1"	2 ½"
1-FLT-F30V-NXT	Digital Nxt Volumetric V27	5	1"	2 ½"

F40 Series (2850)

Stock Code	Product Descriptions	Valve Flow m ³ /h	Connection	Tank Connection
1-FLT-F40F	Filter Valve F28	10	1 ½"	4"
1-FLT-F40T	1700 - Timer T28	10	1 ½"	4"
1-FLT-F40F-NXT	Digital Nxt Filter Valve F28	10	1 ½"	4"
1-FLT-F40T-NXT	Digital Nxt 1700- Timer T28	10	1 ½"	4"
1-FLT-F40V-NXT	Digital Nxt 1700 -V. 200 m ³ V28	10	1 ½"	4"
1-FLT-F40D-NXT	Digital Nxt 1700 -Dublex. 200 m ³ D28	10	1 ½"	4"



F50 Series (2900)

Stock Code	Product Descriptions	Valve Flow m ³ /h	Connection	Tank Connection	
1-FLT-F50F	Filter Valve F29	20	2"	4"	
1-FLT-F50T	1700 Timer T29	20	2"	4"	
1-FLT-F50F-NXT	Digital Nxt Filter Valve F29	20	2"	4"	
1-FLT-F50T-NXT	Digital Nxt 1700 Timer T29	20	2"	4"	
1-FLT-F50V-NXT	Digital Nxt 1700 Volum 375 m ³ V29	20	2"	4"	
1-FLT-F50D-NXT	Digital Nxt 1700 Dublex 375 m ³ D29	20	2"	4"	

F60 Series (3150)

Stock Code	Product Descriptions	Valve Flow m ³ /h	Connection	Tank Connection	
1-FLT-F60F	Filter Valve F31	22	2"	4"	
1-FLT-F60T	1800 Timer (Tm-Sm) T31	22	2"	4"	
1-FLT-F60F-NXT	Digital Nxt Filter Valve F31	22	2"	4"	
1-FLT-F60V	1800 Volumetric (Mechanical)	22	2"	4"	
1-FLT-F60T-NXT	Digital Nxt1800 Timer 375 m ³ (Tm-Sm) T31	22	2"	4"	
1-FLT-F60V-NXT	Digital Nxt 1800 Vol. 375 m ³ (Tm-Sm) V31	22	2"	4"	
1-FLT-F60D-NXT	Digital Nxt1800 Dblx 375 m ³ (Tm-Sm) D31	22	2"	4"	

F90 Series (3900)

Stock Code	Product Descriptions	Valve Flow m ³ /h	Connection	Tank Connection	
1-FLT-F90T	1800 Timer T39	57	3"	6" Flange	



F30 (2750)



F40 (2850)



F50 (2800)



F60 (3150)



FLOTROL PISTONS

Stock Code	Product Descriptions	
1-91-56-24116-1	5600 Piston	
1-91-27-24067-1	2750 Piston	
1-91-28-25155-1	2750 Piston NBP	
1-91-28-26494-1	2850 Piston WBP	
1-91-29-28412-1	2850 Piston NBP	
1-91-29-28413-1	2900 Lower Piston WBP	
1-91-31-60106-1	2900 Lower Piston NBP	
1-91-39-60107-10-1	3900 Piston NBP	
1-91-39-60107-01-1	3900 Piston WBP	

FLOTROL O-RING SETS

Stock Code	Product Descriptions	
1-91-56-24115-1	5600 O-Ring Set	
1-91-27-28415-1	2750 O-Ring Set	
1-91-28-25156-2	2850 O-Ring Set Plastic	
1-91-29-24205-1	2900 Bottom O-Ring Set	
1-91-31-18022-1	3150 O-Ring Set	
1-91-39-18064-1	3900 O-Ring Set	
1-91-95-18129-1	9500 Top O-Ring Set (1 x 2850 Plastic)	
1-91-95-28665-1	9500 Bottom O-Ring Set (2 x 2850 Plastic)	

FLECK PISTON AND O-RINGS

Stock Code	Product Descriptions	
1-91-27-24067	2750 Piston	
1-91-28-25155	2850 Piston WBP	
1-91-28-26494	2850 Piston NBP	
1-91-29-28412	2900 Bottom Piston WBP	
1-91-29-28413	2900 Bottom Piston NBP	
1-91-29-28416	2910 Top Piston	
1-91-31-60106	3150 Piston WBP	
1-91-77-61452-20	7700 Filter Piston	
1-91-77-61453-10	7700 Softener Piston	
1-91-77-61452-10	7700 Softener Piston High Flow	
1-91-90-24234	9000/9100 Top Piston	
1-91-90-24235	9000/9100 Bottom Piston	
1-91-95-18052	9500 Top Piston	
1-91-95-18053	9500 Bottom Piston	
1-91-27-28415	2750 O-Ring Set	
1-91-29-24205	2900 Bottom O-Ring Set	
1-91-31-18022	3150 O-Ring Set	
1-91-77-61438	7700 O-Ring Set	
1-91-90-25642	9000/9100 O-Ring Set	
1-91-95-18129	9500 Top O-Ring Set	
1-91-95-28665	9500 Bottom Set O-Ring	



FLECK & FLOTROL BRINE VALVES

Stock Code	Product Descriptions	
1-91-03-24114-1	F20 / 5600 Brine Valve	
1-91-03-24526	9000 / 9100 Brine Valve	
1-91-03-18092	1600 Brine Valve 2750-2850-2900	
1-91-03-24181	1700 Brine Valve 2750-2850-2900	
1-91-03-18055	1600 Brine Valve 9500	
1-91-03-18057	1700 Brine Valve 9500	
1-91-03-26754-1	1800 Brine Valve	

BRINE VALVES REPAIR KITS

Stock Code	Product Descriptions	
1-91-03-24981	1700 Brine Valve Repair Kit 2850 / 2910	
1-91-03-18016	1700 Brine Valve Repair Kit 9500	
1-91-03-27836	1800 Brine Valve Repair Kit 3150 / 3900	

FLECK & FLOTROL METER AND EQUIPMENTS

Stock Code	Product Descriptions	
1-91-02-14038	Plastic Meter Cover Standard 8 m ³	
1-91-02-15150-F	Plastic Meter Cover Increased 40 m ³ (9000-9100) CN	
1-91-02-15150	Plastic Meter Cover Increased 40 m ³ (9000-9100)	
1-91-02-15237-1	Plastic Meter Cover Increased 0 - 375 m ³ CN	
1-91-02-15218	Metal Meter Cover Standard 0 - 75 m ³	
1-91-02-15237	Metal Meter Cover Increased 0 - 375 m ³	
1-91-02-18330	Plastic Meter Cover Electronic	
1-91-02-24106	Plastic Meter Increased 40 m ³ (9100)	
1-91-02-18508	Metal Counter Increased 200 m ³ 1 ½" (9500)	
1-91-02-13509-F	Meter Impeller 1"	
1-91-02-15374-1	Meter Impeller 2"	
1-91-02-15374	Meter Impeller 2"	
1-91-02-15432-1	3" Meter Impeller Shaft CN	
1-91-02-171	Meter Cable 171 mm	
1-91-02-420	Meter Cable 420 mm	
1-91-02-336	Meter Cable 336 mm for 9000-9100	
1-91-02-527	Meter Cable 527 mm for 9500	
1-91-02-387	Meter Cable 387 mm for 2900	
1-91-02-444	Meter Cable 444 mm for 3150-3900	



FLECK SPARE PARTS

Stock Code	Product Descriptions	
1-91-04-16495	3150-3900 Drive Cam (Bottom)	
1-91-03-28400	5600 Injector Body	
1-91-56-13170	5600 Main Drive Gear	
1-91-04-24267	2750-2850-2900 Drive Glass	
1-91-04-29237	Repear Kit 9000-9100-9500 Gears Set	
1-91-04-25870	9000/9500 Drive Gear Lower (bottom)	
1-91-04-25869	9000/9500 Drive Gear (middle)	
1-91-04-14896	9000/9500 Star Glass	
1-91-04-28164	2900 Bottom Drive Glass	
1-91-04-16045	3150 – 3900 Drive Pnion (small gear)	
1-91-04-16046	3150 – 3900 Drive Gear (large gear)	
1-91-56-14177	5600 Knops	
1-91-03-17776	1600 Injector Body	
1-91-03-17777	1700 Injector Body	

FLECK ACCESSORIES

Stock Code	Product Descriptions	
1-91-56-13398	1" Yellow yoke	
1-91-56-28502	1" Fleck Bypass Valve	
1-91-56-18706	1" - 3/4" Plastic Yoke	
1-91-91-28242	9100 2.Tank Adapter	
1-91-90-24238	9000 2.Tank Adapter	
1-91-77-28355	7700 Yoke 1 1/4"	
1-91-77-40563	7700 Yoke 3/4" 1"	
1-91-77-40576	7700 Clips	
1-91-56-13709	5600 Coupling	
1-91-90-15078	9000 Coupling	
1-91-04-28389	2750-2850-2900 Brine Glass	
1-91-04-15132	9000 Triple Glass (brine)	
1-91-04-17765	9500 Triple Glass (brine)	
1-91-04-16494	3150-3900 Upper Brine cam	





FLECK MOTORS & ACCESSORIES

Stock Code	Product Descriptions	
1-91-00-26775	Timer Motor 1/30 RPM 220V	
1-91-00-26778	Timer Motor 1/30 RPM 24V	
1-91-00-26000	Timer Motor 1/30 RPM 12V	
1-91-00-28409-24	Drive Motor 3150/3900 24V	
1-91-00-28409-220	Drive Motor 3150/3900 220V	
1-91-00-26503-24	Drive Motor 9100/9500 24V	
1-91-00-27204	Drive Motor 2510-2750-2850-2900 24V	
1-91-00-27205	Drive Motor 2510-2750-2850-2900 220V	
1-91-00-40388	Drive Motor 24V 2910 Bottom	
1-91-00-28367	Drive Motor 24V (7700)	
1-91-00-24219	3200 Control Panel	
1-91-00-24221-24-300	3220 Control Panel 24V 375 m ³	
1-91-00-24220	3230 Control Panel	
1-91-00-24224-24-200	3210 Control Panel 24V 200 m ³	
1-91-00-24224	3210 Control Panel	
1-91-00-24231	9000 Control Panel 24V 40 m ³	
1-91-00-285597	24V Adapter 10 VA (9000-9500)	
1-91-00-26260	24V Adapter 60 VA (2750-2850-2910-3150)	
1-91-00-26259	24V Adapter 120 VA (3900)	
1-91-00-10896	Microswitch	
1-91-00-10218	Microswitch	
1-91-00-15320	Microswitch	
1-91-00-10774	Motor Braket Right (2750-2850-2900)	
1-91-00-11826	Motor Braket Left (2750-2850-2900)	
1-91-BNT-11040013	5600 12V Adapter	
1-91-BNT-11040014	5600 24V Adapter	
1-91-BNT-56 A	5600 Digital Valve 24V Adapter	





FILTER VALVES

Stock Code	Product Descriptions	Valve Flow m ³ /h	Connection	Tank Connection	Tank
1-RUX-F71P1	F71P1 Filter Valve	2	¾"	2 ½"	6"-12"
1-RUX-F71B1	F71B1 Filter Valve	2	¾"	2 ½"	6"-12"
1-RUX-F67P1	F67P1 Filter Valve	4	1"	2 ½"	6"-16"
1-RUX-F67B1	F67B1 Filter Valve	4	1"	2 ½"	6"-16"
1-RUX-F134A1	F134A1 Filter Valve	8	1 ½"	2 ½"	14"-24"
1-RUX-N75A1	N75A1 Filter Valve	10	2"	4"	16"-30"
1-RUX-F99B1	F99B1 Filter Valve	15	2"	4"	21"-36"
1-RUX-N77B1	N77B1 Filter Valve	18	2"	4"	24"-42"
1-RUX-F111B1	F111B1 Filter Valve	20	2"	4"	30"-42"



F71B1



N67B1



N75A1



N111B1

SOFTENER VALVES

Stock Code	Product Descriptions	Valve Flow m ³ /h	Connection	Tank Connection	Tank
1-RUX-F65P3	F65P3 Softener Valve	2	¾"	2 ½"	6"-12"
1-RUX-F63P3	F63P3 Softener Valve	4	1"	2 ½"	6"-18"
1-RUX-F69A3	F69A3 Softener Valve	2	¾"	2 ½"	6"-12"
1-RUX-F63B3	F63B3 Softener Valve	4	1"	2 ½"	6"-18"
1-RUX-F92B3	F92B3 Softener Valve (Yes By-Pass)	7	1"	2 ½"	12"-18"
1-RUX-F133A3	F133A3 Softener Valve	8	1 ½"	2 ½"	14"-24"
1-RUX-N74A3	N74A3 Softener Valve	10	2"	4"	16"-30"
1-RUX-F99A3	F99A3 Softener Valve	15	2"	4"	16"-42"
1-RUX-N77A3	N77A3 Softener Valve	18	2"	4"	16"-42"
1-RUX-F111A3	F111A3 Softener Valve	20	2"	4"	24"-48"



F69A3



F63B3/F70A



N74A3



F99A3



F111A3

TANDEM SOFTENER VALVES

Stock Code	Product Descriptions	Valve Flow m ³ /h	Connection	Tank Connection	Tank
1-RUX-F73	F73 Tandem Softener Valve	3	1"	2 ½"	8"-14"
1-RUX-F135	F135 Tandem Softener Valve	10	1 ½"	4"	21"-30"



SPARE PARTS

Stock Code	Product Descriptions	
1-96-RUX-BR1-3/8-100/05	Float Aircheck 3/8" (For 3/4" and 1" Valves)	
1-96-RUX-BR2-3/4-100/06	Float Aircheck 3/4" (For 1 1/2" and 2" Valves)	
1-RUX-546821	Injector 1" (Yellow)	
1-RUX-546819	Injector F77-F99 (Yellow)	
1-RUX-546820	Injector F111 (Blue)	
1-RUX-1	1" Bottom Body	
1-RUX-11/2-ÜST	1 ½" Top Diffuser	
1-RUX-MB1	Motherboard (F63 - F65 - F67)	
1-RUX-MB2	Motherboard (F74 - F75)	
1-RUX-2	2" Bottom Body	
1-96-RUX-1-ALT	1" Bottom Diffuser (27)	
1-96-RUX-11/2-ALT	1 ½" Bottom Diffuser (N182C)	
1-96-RUX-DA40	1 ¼" Bottom Diffuser (40)	
1-96-RUX-1-ÜS	1" Top Diffuser (27)	
1-96-RUX-1-Ü32	1" Top Diffuser (32)	
1-96-RUX-DÜ40	1 ¼" Top Diffuser (40)	
1-96-RUX-11/2-ÜST	1 ½" Top Diffuser (50 mm) N182B	
1-96-RUX-11/2-ÜST-L	1 ½" Top Diffuser (50mm) Long	
1-96-RUX-2-ÜST	2" Top Diffuser (63MM-182B-2C) (F111)	
1-96-RUX-5243001	F67B-F63B Gear	
1-96-RUX-8241004	F67B-F63B3 Small Motor Gear	
1-96-RUX-TEV	Brine Suction Valve (F99-111)	

RUNXIN MANUAL VALVE

Stock Code	Product Descriptions	
1-RUX-F56E1	Manual Valve ¾" F56E1	
1-RUX-F56F1	Manual Valve 1" F56F1 (32' mm pipe)	
1-RUX-N56D2	Manual Valve 2" N56D2	

* Runxin manual valve prices include bottom diffuser, top diffuser, diffuser pipe.

MANUAL VALVE

Stock Code	Product Descriptions	
1-MAN-S32	1" Manual Standard Valve	
1-MAN-S63	2" Manual Standard Valve	



N56D2



F56E1 - F56F1



S32 - S63



HFT ACTUATORS

Stock Code	Product Descriptions	Power (VAC)	
1-14AKT-220-030	30NM Electric Actuator	220	
1-14AKT-220-060	60NM Electric Actuator	220	
1-14AKT-220-080	80NM Electric Actuator	220	
1-14AKT-220-100	100NM Electric Actuator	220	
1-14AKT-220-200	200NM Electric Actuator	220	
1-14AKT-24-030	30NM Electric Actuator	24	
1-14AKT-24-060	60NM Electric Actuator	24	
1-14AKT-24-080	80NM Electric Actuator	24	
1-14AKT-24-100	100NM Electric Actuator	24	
1-14AKT-24-200	200NM Electric Actuator	24	

HFT MANUAL CAST IRON BUTTERFLY VALVE

Stock Code	Product Descriptions	Connection Diameter	Material	
8-14-DKM-KLB-0040	Wafer Type Butterfly Valve	DN40 1 1/2"	Cast Iron Body, SS316 Flap	
8-14-DKM-KLB-0050	Wafer Type Butterfly Valve	DN50 2"	Cast Iron Body, SS316 Flap	
8-14-DKM-KLB-0065	Wafer Type Butterfly Valve	DN65 2 1/2"	Cast Iron Body, SS316 Flap	
8-14-DKM-KLB-0080	Wafer Type Butterfly Valve	DN80 3"	Cast Iron Body, SS316 Flap	
8-14-DKM-KLB-0100	Wafer Type Butterfly Valve	DN100 4"	Cast Iron Body, SS316 Flap	
8-14-DKM-KLB-0125	Wafer Type Butterfly Valve	DN125 5"	Cast Iron Body, SS316 Flap	
8-14-DKM-KLB-0150	Wafer Type Butterfly Valve	DN150 6"	Cast Iron Body, SS316 Flap	
8-14-DKM-KLB-0200	Wafer Type Butterfly Valve	DN200 8"	Cast Iron Body, SS316 Flap	

HFT MANUAL PVC BUTTERFLY VALVE

Stock Code	Product Descriptions	Connection Diameter	Material	
8-14-PVC-KLB-0040	Wafer Type Butterfly Valve	DN40 1 1/2"	PVC	
8-14-PVC-KLB-0050	Wafer Type Butterfly Valve	DN50 2"	PVC	
8-14-PVC-KLB-0065	Wafer Type Butterfly Valve	DN65 2 1/2"	PVC	
8-14-PVC-KLB-0080	Wafer Type Butterfly Valve	DN80 3"	PVC	
8-14-PVC-KLB-0100	Wafer Type Butterfly Valve	DN100 4"	PVC	
8-14-PVC-KLB-0125	Wafer Type Butterfly Valve	DN125 5"	PVC	
8-14-PVC-KLB-0150	Wafer Type Butterfly Valve	DN150 6"	PVC	
8-14-PVC-KLB-0200	Wafer Type Butterfly Valve	DN200 8"	PVC	

HFT MANUAL PVC BUTTERFLY VALVE FLANGE SET

Stock Code	Product Descriptions	Connection Diameter	Material	
8-14-PVC-FLANŞ-0040	Wafer Type Butterfly Valve Flange Set	DN40 1 1/2"	PVC	
8-14-PVC-FLANŞ-0050	Wafer Type Butterfly Valve Flange Set	DN50 2"	PVC	
8-14-PVC-FLANŞ-0065	Wafer Type Butterfly Valve Flange Set	DN65 2 1/2"	PVC	
8-14-PVC-FLANŞ-0080	Wafer Type Butterfly Valve Flange Set	DN80 3"	PVC	
8-14-PVC-FLANŞ-0100	Wafer Type Butterfly Valve Flange Set	DN100 4"	PVC	
8-14-PVC-FLANŞ-0125	Wafer Type Butterfly Valve Flange Set	DN125 5"	PVC	
8-14-PVC-FLANŞ-0150	Wafer Type Butterfly Valve Flange Set	DN150 6"	PVC	
8-14-PVC-FLANŞ-0200	Wafer Type Butterfly Valve Flange Set	DN200 8"	PVC	



HFT ELECTRIC ACTUATOR CAST IRON BUTTERFLY VALVE

Stock Code	Product Descriptions	Connection Diameter	Material	Power (VAC)	
1-14AKT-DKM-KLB-220-0040	Wafer Type Butterfly Valve	DN40	Cast Iron Body, SS316 Flap	220V	
1-14AKT-DKM-KLB-220-0050	Wafer Type Butterfly Valve	DN50	Cast Iron Body, SS316 Flap	220V	
1-14AKT-DKM-KLB-220-0065	Wafer Type Butterfly Valve	DN65	Cast Iron Body, SS316 Flap	220V	
1-14AKT-DKM-KLB-220-0080	Wafer Type Butterfly Valve	DN80	Cast Iron Body, SS316 Flap	220V	
1-14AKT-DKM-KLB-220-0100	Wafer Type Butterfly Valve	DN100	Cast Iron Body, SS316 Flap	220V	
1-14AKT-DKM-KLB-220-0125	Wafer Type Butterfly Valve	DN125	Cast Iron Body, SS316 Flap	220V	
1-14AKT-DKM-KLB-220-0150	Wafer Type Butterfly Valve	DN150	Cast Iron Body, SS316 Flap	220V	
1-14AKT-DKM-KLB-220-0200	Wafer Type Butterfly Valve	DN200	Cast Iron Body, SS316 Flap	220V	
1-14AKT-DKM-KLB-24-0040	Wafer Type Butterfly Valve	DN40	Cast Iron Body, SS316 Flap	24V	
1-14AKT-DKM-KLB-24-0050	Wafer Type Butterfly Valve	DN50	Cast Iron Body, SS316 Flap	24V	
1-14AKT-DKM-KLB-24-0065	Wafer Type Butterfly Valve	DN65	Cast Iron Body, SS316 Flap	24V	
1-14AKT-DKM-KLB-24-0080	Wafer Type Butterfly Valve	DN80	Cast Iron Body, SS316 Flap	24V	
1-14AKT-DKM-KLB-24-0100	Wafer Type Butterfly Valve	DN100	Cast Iron Body, SS316 Flap	24V	
1-14AKT-DKM-KLB-24-0125	Wafer Type Butterfly Valve	DN125	Cast Iron Body, SS316 Flap	24V	
1-14AKT-DKM-KLB-24-0150	Wafer Type Butterfly Valve	DN150	Cast Iron Body, SS316 Flap	24V	
1-14AKT-DKM-KLB-24-0200	Wafer Type Butterfly Valve	DN200	Cast Iron Body, SS316 Flap	24V	

HFT ELECTRIC ACTUATOR PVC BUTTERFLY VALVE

Stock Code	Product Descriptions	Connection Diameter	Material	Power (VAC)	
1-14AKT-PVC-KLB-220-0040	Wafer Type Butterfly Valve	DN40	PVC	220V	
1-14AKT-PVC-KLB-220-0050	Wafer Type Butterfly Valve	DN50	PVC	220V	
1-14AKT-PVC-KLB-220-0065	Wafer Type Butterfly Valve	DN65	PVC	220V	
1-14AKT-PVC-KLB-220-0080	Wafer Type Butterfly Valve	DN80	PVC	220V	
1-14AKT-PVC-KLB-220-0100	Wafer Type Butterfly Valve	DN100	PVC	220V	
1-14AKT-PVC-KLB-220-0125	Wafer Type Butterfly Valve	DN125	PVC	220V	
1-14AKT-PVC-KLB-220-0150	Wafer Type Butterfly Valve	DN150	PVC	220V	
1-14AKT-PVC-KLB-220-0200	Wafer Type Butterfly Valve	DN200	PVC	220V	
1-14AKT-PVC-KLB-24-0040	Wafer Type Butterfly Valve	DN40	PVC	24V	
1-14AKT-PVC-KLB-24-0050	Wafer Type Butterfly Valve	DN50	PVC	24V	
1-14AKT-PVC-KLB-24-0065	Wafer Type Butterfly Valve	DN65	PVC	24V	
1-14AKT-PVC-KLB-24-0080	Wafer Type Butterfly Valve	DN80	PVC	24V	
1-14AKT-PVC-KLB-24-0100	Wafer Type Butterfly Valve	DN100	PVC	24V	
1-14AKT-PVC-KLB-24-0125	Wafer Type Butterfly Valve	DN125	PVC	24V	
1-14AKT-PVC-KLB-24-0150	Wafer Type Butterfly Valve	DN150	PVC	24V	
1-14AKT-PVC-KLB-24-0200	Wafer Type Butterfly Valve	DN200	PVC	24V	

* The flange set is not included in the price.



Electric Actuator



Manual Cast Iron Butterfly Valve



Manual PVC Butterfly Valve



Electric Actuated Cast Iron Butterfly Valve



Electric Actuated PVC Butterfly Valve



Butterfly Valve Flange Set



HFT TANKS

Stock Code	Product Descriptions	Dimension (mm)	Volume (lt)	Connection Dimension (inch)	
2-HFT-0735	7x35 Threaded - Top	180x892	20,1	2 ½"	
2-HFT-0817	8x17 Threaded - Top	207x435	10,9	2 ½"	
2-HFT-0835	8x35 Threaded - Top	207x892	25	2 ½"	
2-HFT-0935	9x35 Threaded - Top	230x894	32,1	2 ½"	
2-HFT-1035	10x35 Threaded - Top	258x896	39,4	2 ½"	
2-HFT-1054	10x54 Threaded - Top	258x1387	63,3	2 ½"	
2-HFT-1252	12x52 Threaded - Top	310x1334	97	2 ½"	
2-HFT-1354	13x54 Threaded - Top	335x1375	105,3	2 ½"	
2-HFT-1465	14x65 Threaded - Top	360x1657	148,5	2 ½"	
2-HFT-1465-4	14x65 Threaded - Top	360x1657	148,5	4"	
2-HFT-1665	16x65 Threaded - Top	410x1648	192,1	4"	
2-HFT-1665-4	16x65 Threaded - Top	410x1648	192,1	4"	
2-HFT-1865	18x65 Threaded - Top	463x1670	268	4"	
2-HFT-2162	21x62 Threaded - Top	540x1620	341	4"	
2-HFT-2472	24x72 Threaded - Top	615x1900	490	4"	
2-HFT-3072	30x72 Threaded - Bottom & Top	767x2077	735	4"-4"	
2-HFT-3672	36x72 Threaded- Bottom & Top	920x2200	1031	4"-4"	
2-HFT-4272	42x72 Flanged - Bottom & Top	1080x2315	1461	6"-6"	
2-HFT-4872	48x72 Flanged - Bottom & Top	1220x2270	1890	6"-6"	
2-HFT-6367	63x67 Flanged - Bottom & Top	1620x2050	2547	6"-6"	
2-HFT-6386	63x86 Flanged - Bottom & Top	1620x2480	3488	6"-6"	

* According to the warranty conditions, all tanks must be used with the vacuum breaker recommended by the manufacturer. Using a vacuum breaker other than the recommended vacuum breaker will exclude the tanks from the warranty.





TANK ACCESSORIES

Stock Code	Product Descriptions	
2-91-H9903	4"-2 1/2" PVC Reduction	
2-91-H9914	4" PVC Blind Connection	
2-91-H9913	6" Flanged Blind Connection	
2-91-H9905	6" Flanged 4" Reduction	
2-91-H9912	6" Flanged - 3" Threaded Adapter	
2-91-H9911	6" Flanged – 4" Threaded Adapter	
2-91-02	Vacuum Breaker (For All Tanks)	



4"-2 1/2" PVC Reduction



4" PVC Blind Connection



6" Flanged Blind Connection



6" Flanged 4" Reduction



6" Flanged - 3" Threaded Adapter
6" Flanged – 4" Threaded Adapter



Vacuum Breaker
(For All Tanks)



TOP MOUNT DISTRIBUTOR (FOR VALVE SYSTEMS)

Stock Code	Product Descriptions
2-92-01-HU6450	For 24" Tank 2" 6 Laterals
2-92-01-HU6600-A	For 30" Tank 2" 6 Laterals
2-92-01-HU6600-B1	For 30" Tank 2" 6 Laterals (Thick)
2-92-01-HU6700-A	For 36" Tank 2" 6 Laterals
2-92-01-HU6700-B1	For 36" Tank 2" 6 Laterals (Thick)
2-92-01-HU6850-B1	For 42" Tank (High Flow)
2-92-01-HU5673	For 42" Tank 3" 8 Laterals
2-92-01-HU5673-2	For 42" Tank 3" 16 Laterals (High Flow)
2-92-01-HU5674	For 48" Tank 3" 8 Laterals
2-92-01-HU5674-2	For 48" Tank 3" 16 Laterals (High Flow)
2-92-01-HU5675	For 63" Tank 3" 8 Laterals
2-92-01-HU5675-2	For 63" Tank 3" 16 Laterals (High Flow)
2-92-01-HU5676	For 63-80" Tank 3" 8 Laterals
2-92-01-HU5676-2	For 63-80" Tank 3" 16 Laterals (High Flow)



6 Laterals



8 Laterals



16 Laterals

SIDE MOUNT DISTRIBUTOR (SURFACE PIPED)

Stock Code	Product Descriptions
2-92-3	3" Nipple (For H2814)
2-92-01-H5671BU	2" Side Mount Diffuser For Top
2-92-H173N-0,2	For 3" Top Diffuser (30"-48" Flanged) 0,2 mm
2-92-H173N-0,5	For 3" Top Diffuser (30"-48" Flanged) 0,5 mm
2-92-H173L	For 3" Top Diffuser (48"-63" 6" Flanged) Long
2-92-01-HD6600	For 30" Tank 2" 6 Laterals
2-92-01-HD6700	For 36" Tank 2" 6 Laterals
2-92-01-HD6850-1	For 42" Tank 2" 6 Laterals (High Flow)
2-92-01-HD5672	For 36" Tank 3" 8 Laterals
2-92-01-HD5673	For 42" Tank 3" 8 Laterals
2-92-01-HD5673-2	For 42" Tank 3" 16 Laterals
2-92-01-HD5674	For 48" Tank 3" 8 Laterals
2-92-01-HD5674-2	For 48" Tank 3" 16 Laterals
2-92-01-HD5675	For 48-55" Tank 3" 8 Laterals (High Flow)
2-92-01-HD5676-2	For 63" Tank 3" 16 Laterals
2-92-01-HD5676-2-80T	For 63" Tank 3" 16 Laterals Long



H5671BU



H173N



6 Laterals



8 Laterals



16 Laterals



DIFFUSERS

Stock Code	Product Descriptions
2-92-01-H1202-0.2	Nozzles 3/4" - 0,35mm.
2-92-01-H1202-0,35	Nozzles 3/4" - 0,2mm.
2-91-01-H2805	1" Top Diffuser (27) H2805
2-91-01-H2807	1" Bottom Diffuser (27) H2807
1-91-01-25645	1" Pipe Diffuser DN27
1-91-01-H182A	1 1/2" Top Diffuser CN (For WS15, WS2, F40 ve F50)
1-91-01-H182AL	2" Top Diffuser (63) H182AL (Long) (For F60 and WS2QC)
1-91-01-H2804	1 1/2" Bottom Diffuser CN (50 mm)
1-91-01-KİT8(50)	1 1/2" Top Diffuser (50)
1-91-01-KİT8(63)	2" Top Diffuser (63)
1-91-01-18396	1 1/2" Bottom Diffuser
1-91-01-H2807-1	1" Bottom Diffuser (32) H2807-1
1-91-01-16258	3" Single Diffuser for 3900

PIPES

Stock Code	Product Descriptions
1-91-01-27	PVC Pipe DN27 (1,75m)
1-91-01-32	PVC Pipe DN32 (2m)
1-91-01-40	PVC Pipe DN40 (2m)
1-91-01-50	PVC Pipe DN50 (2m)
1-91-01-63	PVC Pipe DN63 (2m)
1-91-01-90	PVC Pipe DN90 (2m)

AIR CHECKS

Stock Code	Product Descriptions
2-93-01-18168	Air Check 3/8" Set
1-91-01-18979	Air Check 3/4" Set

DIAPHRAGM VALVES

Stock Code	Product Descriptions
1-AQM-002	1/2" Plastic Diaphragm Valve
1-AQM-003	1" Plastic Diaphragm Valve
1-AQM-005	2" Plastic Diaphragm Valve
1-AQM-002-1	3/8" - 1/2" Inner Diaphragm - For Diaphragm Valve
1-AQM-003-1	1" Inner Diaphragm - For Diaphragm Valve
1-AQM-005-1	1/2"-2" Inner Diaphragm - For Diaphragm Valve



Nozzles



Pipe Diffuser



Air Check

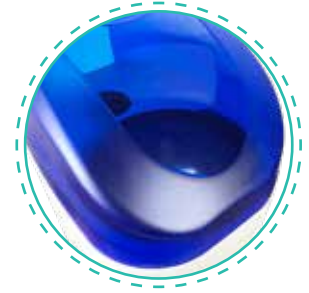


Diaphragm Valve



WATER SOFTENER SYSTEMS

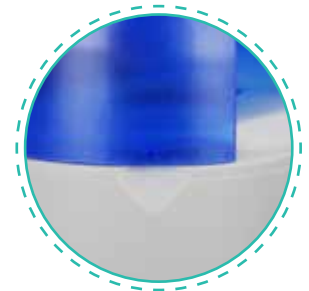
Stock Code	Product Descriptions	Resin	Tank	Dimension (mm)	
0-KAB-HFT-MINI-B	HFT Mini Softener System	8	8x17"	350 x 485 x 665	
0-KAB-HFT-MAXI-B (1035)	HFT Maxi Softener System	30	10x35"	350 x 485 x 1125	



• *Special Design*



• *Special curve for easy assembly*



• *Special locking system*
• *Easy to open*

EMPTY CABINETS

Stock Code	Product Descriptions	Capacity	
2-KAB-HFT-MINI	HFT Mini Cabinet	8x17"	
2-KAB-HFT-MAX	HFT Maxi Cabinet	10x35"	
2-KAB-HFT-KAPAK	HFT Cabinet Cover		



WATER SOFTENER SYSTEMS

Stock Code	Product Descriptions	Resin	Tank	Dimension (mm)
0-KAB-S1-MINI	S1 Mini Softener System	8	8x17	600 x 350 x 550
0-KAB-S1-MAXI	S1 Maxi Softener System	30	10x35	600 x 350 x 1100
0-KAB-S3-MINI	S3 Mini Softener System	8	8x17	570 x 334 x 660
0-KAB-S3-MIDI	S3 Maxi Softener aSystem	25	9x35	570 x 334 x 1120
0-KAB-S3-MAX	S3 Maxi Softener System	30	10x35	570 x 334 x 1120
0-KAB-S4-MINI	S4 Mini Softener System	8	8x17	440 x 225 x 640
0-KAB-S4-MIDI	S4 Midi Softener System	20	8x35	440 x 225 x 1110



EMPTY CABINETS

Stock Code	Product Descriptions	Capacity
2-KAB-S1MIN	S1 Mini Cabinet	8x17"
2-KAB-S1MAX	S1 Maxi Cabinet	10x35"
2-KAB-S1-KAPAK	S1 Cabinet Cover	
2-KAB-S3-KAPAK	S3 Cabinet Cover	
2-KAB-S4-KAPAK	S4 Cabinet Cover	



STAINLESS STEEL TANK JACKET

Stock Code	Product Descriptions	
2-CAN-C-SS1035	10x35 Stainless Steel Jacket	
2-CAN-C-SS1054	10x54 Stainless Steel Jacket	



BRINE TANKS ACCESSORIES

Stock Code	Product Descriptions	
7-9-TR-1	Brine Tank Union 1-2"	
2-91-01-60067	1600 Brine Float Valve	
2-93-01-12794	3/8" Brine Elbow Plastic (1600)	
1-91-01-15413	3/4" Brine Elbow Plastic (1700)	
1-91-01-KIT57	1700 Brine Elbow Set	
7-9-TH-10	Brine Pipe 10 mm.	
7-9-TH-12	Brine Pipe 12 mm.	



VENTURI

Stock Code	Product Descriptions	
1-97-020-025-PP	3/4" PP Venturi (Injector)	
1-97-020-020-PP	1/2" PP Venturi (Injector)	
1-97-020-032-PP	1" PP Venturi (Injector)	
1-97-020-050-PP	1 1/2" PP Venturi (Injector)	
1-97-020-063-PP	2" PP Venturi (Injector)	
1-97-020-AKR	1/2" Acrylic Injector	
1-97-020-025-AKR	3/4" Acrylic Injector	
1-97-020-032-PVC	1" PVC Injector TE	
1-97-020-050-PVC	1 1/2" PVC Injector TE	



CHLORINE TANKS

Stock Code	Product Descriptions	
7-2-0100	Dosage Tank 100 Lt.	
7-2-0200	Dosage Tank 200 Lt.	





LOCAL BRINE TANKS

Stock Code	Product Descriptions	
7-1-0100-Y	Brine Tank 100 Lt.	
7-1-0150-Y	Brine Tank 150 Lt.	
7-1-0200-Y	Brine Tank 200 Lt.	
7-1-0250-Y	Brine Tank 250 Lt.	
7-1-0300-Y	Brine Tank 300 Lt.	
7-1-0400-Y	Brine Tank 400 Lt.	
7-1-0500-Y	Brine Tank 500 Lt.	
7-1-0750-Y	Brine Tank 750 Lt.	
7-1-1000-Y	Brine Tank 1000 Lt.	
7-1-1500-Y	Brine Tank 1500 Lt.	
7-1-2000-Y	Brine Tank 2000 Lt.	
7-1-2500-Y	Brine Tank 2500 Lt.	
7-1-3000-Y	Brine Tank 3000 Lt.	
7-1-5000-Y	Brine Tank 5000 Lt.	
7-1-7500-Y	Brine Tank 7500 Lt.	
7-1-10000-Y	Brine Tank 10000 Lt.	
7-4-100	Brine Well (local)	




IMPORTED BRINE TANKS

Stock Code	Product Descriptions	
7-1-0100	Brine Tank - 100 Lt. Imported Round Type	
7-1-0145	Brine Tank - 145 Lt. Imported Round Type	
7-1-0200	Brine Tank - 200 Lt. Imported Round Type	





CARBON

Stock Code	Product Descriptions	Brand	Iodine	Package
7-MIN-KAH06	Activated Carbon (Coal Based)		600-800	25 Kg.
7-MIN-KAH01	Activated Carbon (Coal Based) 	HYDROSAFE	600-800	25 Kg.
7-MIN-KAH02	Activated Carbon (Coconut Based)	HYDROSAFE	900	25 Kg.

RESIN

Stock Code	Product Descriptions	Brand	Package
7-MIN-RENA02	Cationic Resin	HYDROSAFE / NONAME	25 Lt.
7-MIN-RENA04	Cationic Resin	DOWEX	25 Lt.
7-MIN-REMI11	Mixed Bed Resin	LEWATIT	25 Lt.
7-MIN-REMI04	Mixed Bed Resin	PUROLITE	25 Lt.



FILTRATION MINERALS

Stock Code	Product Descriptions	Using Area	Brand	Package
7-MIN-G300	Birm Mineral	Iron Manganese	CLACK	28,3 Lt.
7-MIN-G301	Filter Ag	Filtration	CLACK	28,3 Lt.
7-MIN-G304	Garnet	Filtration	CLACK	28,3 Lt.
7-MIN-G306	Manganese Green Sand	AS-FE-MN	-	20 Kg.
7-MIN-G340	Anthracite	Filtration	-	35 Lt.
7-MIN-G452	Quarts Sand	Filtration	-	30 Kg.
7-MIN-G454	Glass Mineral	Filtration	-	25 Kg.
7-MIN-G308	Corosex	Ph Booster	CLACK	23 Kg.
7-MIN-G413	Siliphos (Ball)	Anti-limescale	CHINA	20 Kg.
7-MIN-G321	Dolomite Juraperle	Remineralization	AQUATECHNIEK	25 Kg.
7-MIN-G323	Dolomite	Remineralization	HYDROSAFE	25 Kg.



TEST KITS

Stock Code	Product Descriptions	Brand	Package
7-KIT-001	Hardness Test Kit	HYDROSAFE	Single Package
7-KIT-002	Chlorine Test Kit	HYDROSAFE	Single Package
7-KIT-003	Ph Chlorine Test Kit	HYDROSAFE	Single Package
7-KIT-005	Iron Test Kit	HYDROSAFE	Single Package



CHEMICALS

Stock Code	Product Descriptions	Brand	Package
7-KIM-210	Hydrochloric Acid		25 Kg
7-KIM-211	Liquid Caustic		25 Kg
7-KIM-120	Sodium Metabisulphite		25 Kg
7-KIM-150	Citric Acid		25 Kg
7-KIM-155	Sodium Edta		25 Kg
7-MIN-G450	Tablet Salt	HYDROSAFE	25 Kg
7-KIM-CL01	Liquid Chlorine	HYDROSAFE	35 Kg
7-KIM-ANOO1-400	Antiscalant (General)	HYDROSAFE	25 Kg
7-KIM-ANOO1-404	Antiscalant (Silica)	HYDROSAFE	25 Kg





FILTER HOUSINGS

Made in **Türkiye**

Stock Code	Product Descriptions	
5-FK-51-12-Y	10" Filter Housing ¼" - Mat	
5-FK-51-13-Y-N	10" Filter Housing ¼" - Naturel	



FILTER HOUSINGS (Taiwan)

NSF

Stock Code	Product Descriptions	
5-FK-51-12	10" Filter Housing ¼" - Mat (Taiwan)	
5-FK-51-13	10" Filter Housing ¼" - Transparent (Taiwan)	



CCK FILTER HOUSINGS (Taiwan)

NSF

Stock Code	Product Descriptions	
5-FK-51-15	10" Filter Housing ¼" - Mat (CCK)	
5-FK-51-14	10" Filter Housing ¼" - Transparent (CCK)	



FILTER HOUSING WRENCH

Made in **Türkiye**

Stock Code	Product Descriptions	
5-90-008	Filter Housing Wrench	



FILTER HOUSINGS

Stock Code	Product Descriptions	
5-5-61-30	10" - Filter Housing ½"	
5-5-61-40	10" - Filter Housing ¾"	
5-5-61-50	10" - Filter Housing 1"	
5-5-61-43	10" - Dublex Filter Housing ¾"	
5-5-61-53	10" - Dublex Filter Housing 1"	



20" FILTER HOUSINGS



Stock Code	Product Descriptions	
5-5-52-22	20" - Filter Housing - TRO 3/8" - Mat	
5-5-52-23	20" - Filter Housing - TRO 3/8" - Transparent	



BIGBLUE FILTER HOUSINGS



Stock Code	Product Descriptions	
5-5-51-56	10" B.B. Housing - Mat - 1"	
5-5-52-56	20" B.B. Housing - Mat - 1"	
5-5-52-55	20" B.B. Housing - Transparent - 1"	
5-5-52-75	20" B.B. Housing - Transparent - 1 ½"	
5-90-014	B.B. Metal Bracket	

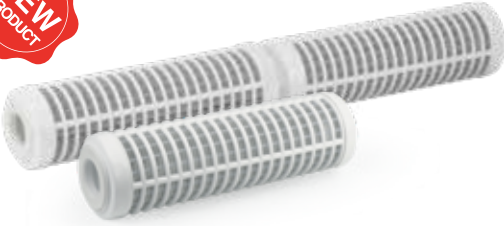




WASHABLE PLASTIC FILTERS

Made in Türkiye

Stock Code	Product Descriptions	
6-04-YF05	5" Washable Plastic Filter	
6-04-YF10	10" Washable Plastic Filter	
6-04-YF20	20" Washable Plastic Filter	
6-04-YF30	30" Washable Plastic Filter	
6-04-YF40	40" Washable Plastic Filter	



WASHABLE STEEL FILTER WITH PLASTIC CAGE FILTERS

Made in Türkiye

Stock Code	Product Descriptions	
6-04-YC05	5" Washable Steel Filter With Plastic Cage	
6-04-YC10	10" Washable Steel Filter With Plastic Cage	
6-04-YC20	20" Washable Steel Filter With Plastic Cage	
6-04-YC30	30" Washable Steel Filter With Plastic Cage	
6-04-YC40	40" Washable Steel Filter With Plastic Cage	



WASHABLE STEEL FILTER

Made in Türkiye

Stock Code	Product Descriptions	
6-04-YÇF10	10" Washable Steel Filter	



WASHABLE STEEL FILTERS (AISI304)

Made in Türkiye

Stock Code	Product Descriptions	
6-04-C10	10" Washable Steel Filter (AISI304)	
6-04-C20	10" Washable Steel Filter (AISI304)	



STANDARD PP FILTERS

Made in **Türkiye** NSF

Stock Code	Product Descriptions	
6-02-05-05	5" PP Filter 5 mic	
6-02-10-05	10" PP Filter 5 mic	
6-02-20-05	20" PP Filter 5 mic	
6-02-30-05	30" PP Filter 5 mic	
6-02-40-05	40" PP Filter 5 mic	

* Different microns are available in stock upon request.



PP FILTERS WITH UPPER & LOWER CAPS

Made in **Türkiye**

Stock Code	Product Descriptions	
6-02-10-05-EK110	10" PP 110 gr	
6-02-10-05-EK135	10" PP 135 gr	
6-02-10-05-EK170	10" PP 170 gr	
6-02-20-05-EK220	20" PP 220 gr	
6-02-30-05-EK330	30" PP 330 gr	
6-02-40-05-EK440	40" PP 440 gr	



BIGBLUE PP FILTERS

Made in **Türkiye**

Stock Code	Product Descriptions	
6-02-10-BB05	10" BigBlue PP 5 Mic.	
6-02-20-BB05	20" BigBlue PP 5 Mic.	

* Different microns are available in stock upon request.





FILTER & FILTER HOUSINGS



YARN FILTERS

Made in Türkiye

Stock Code	Product Descriptions	
6-01-10	10" Yarn Filter	
6-01-20	20" Yarn Filter	
6-01-30	30" Yarn Filter	
6-01-40	40" Yarn Filter	



BIGBLUE YARN FILTERS

Made in Türkiye

Stock Code	Product Descriptions	
6-01-10-BB	10" BigBlue Yarn Filter	
6-01-20-BB	20" BigBlue Yarn Filter	



STANDARD CTO FILTERS

Made in Türkiye 

Stock Code	Product Descriptions	
6-03-CTO10-CN	5" CTO Filter (Coal Based)	
6-03-CTO10-1	10" CTO Filter (Coal Based)	
6-03-CTO10-2	10" CTO Filter (Coconut Based)	
6-03-CTO20	20" CTO Filter (Coal Based)	
6-03-CTO20-2	20" CTO Filter (Coconut Based)	



BIGBLUE CTO FILTERS

Stock Code	Product Descriptions	
6-03-CTO10-BB	10" BB CTO Filter (Coal Based)	
6-03-CTO20-BB	20" BB CTO Filter (Coal Based)	



10" SHELL CUP FILTERS

Made in Türkiye NSF

Stock Code	Product Descriptions	
6-05-10-0	10" Shell Cup (Empty)	
6-05-10-1	10" Shell Cup (Carbon)	
6-05-10-4	10" Shell Cup (Coconut)	
6-05-10-3	10" Shell Cup (Siliphos)	



20" SHELL CUP FILTERS

Made in Türkiye NSF

Stock Code	Product Descriptions	
6-05-20-0	20" Shell Cup (Empty)	
6-05-20-1	20" Shell Cup (Carbon)	
6-05-20-4	20" Shell Cup (Coconut)	
6-05-20-3	20" Shell Cup (Siliphos)	



10" UDF CARBON FILTERS

Made in Türkiye

Stock Code	Product Descriptions	
6-03-GAC10	10" UDF Filter (Coal Based)	
6-03-GAC10-2	10" UDF Filter (Coconut Based)	



20" UDF CARBON FILTERS

Made in Türkiye

Stock Code	Product Descriptions	
6-03-GAC20	20" UDF Filter (Coal Based)	
6-03-GAC20C	20" UDF Filter (Coconut Based)	



BIGBLUE UDF FILTERS

Stock Code	Product Descriptions	
6-03-GAC10-BB	10" UDF BigBlue Filter (Coal Based)	
6-03-GAC20-BB	20" UDF BigBlue Filter (Coal Based)	





AQUAFLEX UF MODEL

Stock Code	Product Descriptions	
3-1-UF-XFLOW-2272FL295A	8"(Pentair) UF Module Aquaflex XF64	
3-1-UF-XFLOW-2272FL295A1	8"(Pentair) UF Module Aquaflex XF64 (Connection set included)	
3-1-UF-XFLOW-2272FL295A2	8"(Pentair) UF Module Aquaflex XF64 (Connection set and coupling set included)	

AQUAFLEX SPARE PARTS

Stock Code	Product Descriptions	
3-1-UF-XFLOW-VDUFEC	Aquaflex Connection Set	
3-1-UF-XFLOW-78300	2 ½" PVC Coupling	
3-1-UF-XFLOW-78302	8" PVC Coupling	

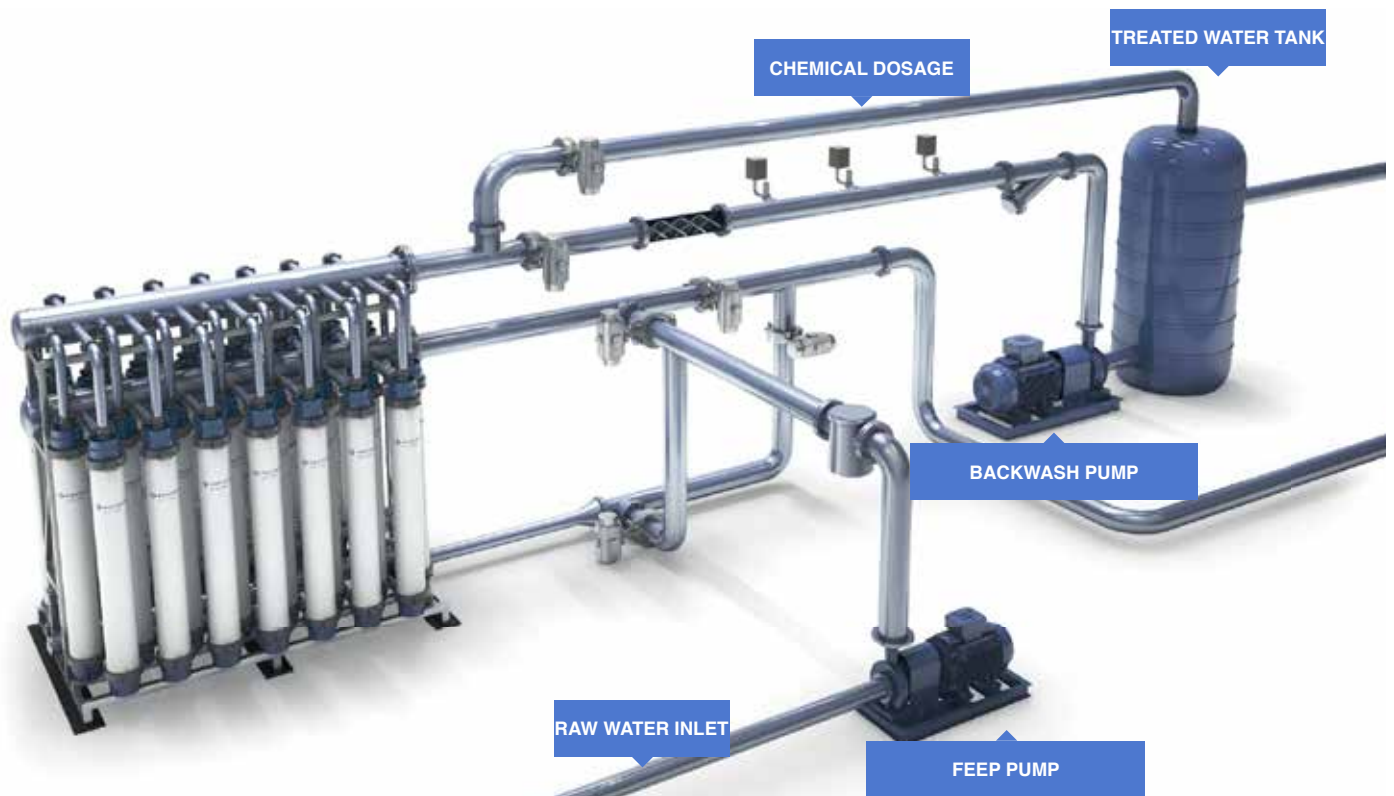


Parts Included in Aquaflex Connection Set

Stock Code	Product Descriptions	Qty.
3-1-UF-XFLOW-14131A	8" Top Endcap	1
3-1-UF-XFLOW-14132A	8" Bottom Endcap	1
3-1-UF-XFLOW-17044	35*4 Oring	4
3-1-UF-XFLOW-90033	Blind Connector (2-1 ¼")	1

Parts Included in Aquaflex Coupling Set

Stock Code	Product Descriptions	Qty.
3-1-UF-XFLOW-78300	2 ½" PVC Coupling	3
3-1-UF-XFLOW-78302	8" PVC Coupling	2





X-LINE (RACK) UF MODEL

Stock Code	Product Descriptions	
3-1-UF-XFLOW-2272FL295A	8"(Pentair) UF Module Aquaflex XF64	
3-1-UF-XFLOW-2272FL295A3	8"(Pentair) UF Module Xline XF64 (Connection set included)	
3-1-UF-XFLOW-2272FL295A4	8"(Pentair) UF Module Xline XF64 (Connection set and coupling set included)	

X-LINE (RACK) SPARE PARTS

Stock Code	Product Descriptions	
3-1-UF-XLINE-RACK	X-Line Connection Set	
3-1-UF-XFLOW-78301	6" PVC Coupling	
3-1-UF-XFLOW-78302	8" PVC Coupling	
3-1-UF-XFLOW-14160	6" Blind Cap	



X-Line (Rack) Connection Set-Parts Included

Stock Code	Product Descriptions	Qty.
3-1-UF-XFLOW-14153	X-Line 8" Bottom Cover	1
3-1-UF-XFLOW-14154	X-Line 8" top Cover	1
3-1-UF-XFLOW-14155	X-Line 8" Product Cover	1
3-1-UF-XFLOW-17044	35*4 Oring	6

X-Line (Rack) Coupling Connection Set-Parts Included

Stock Code	Product Descriptions	Qty.
3-1-UF-XFLOW-6 UF	X-Flow 6" PVC Coupling	3
3-1-UF-XFLOW-8 UF	X-Flow 8" PVC Coupling	2





PENTAIR AQUALINE FILTER



Stock Code	Product Descriptions	Flow (m ³ /h)	
5-ALN-K	Pentair Aqualine 60" Vessel	-	
5-ALN05-60B	Aqualine 60" 5 mic. Cartridge Filter	35 - 50	
5-ALN10-60B	Aqualine 60" 10 mic. Cartridge Filter	35 - 50	



FILTERONE

Stock Code	Product Descriptions	Boy	Connection	
5-FO-F0PPF0N0123300FT	Filterone Body	23"	3" F	
5-FO-F0PPF0N040300FT	Filterone Body	40"	3" F	



MBR SYSTEM

Stock Code	Product Descriptions	Yüzey Alanı m ²	
3-1-MBR-23	MBR 23 m ² Module	23	



 **HSC** WATER





60" HPF HIGH FLOW FILTRATION SYSTEMS



HPF SERIES SINGLE HIGH FLOW FILTRATION SYSTEMS

Stock Code	Product Descriptions	Material	Connection	Operational Pres.	Flow (m³/h)
5-HXP-HP40	High Flow PVC 40" Filtration System	PVC	2" (DN50)	<100 psi	20
5-HPCF-HPF40	High Flow PVC 40" Module (With Cartridge)	PVC	3"	<100 psi	20
5-HPCF-HPF60	High Flow PVC 60" Module (With Cartridge)	PVC	3"	<100 psi	30

* Flowrates are calculated according to 6 bar pressure and 5 mic.precision.



HPF SERIES HIGH FLOW FILTERS

Stock Code	Product Descriptions	Micron	Length
5-HPCF-HPF40	HPF-40" Cartridge Filter	1-10 μ m	1016 mm
5-HPCF-HPF60	HPF-60" Cartridge Filter	1-10 μ m	1524 mm



60" HPF SERIES HIGH FLOW FILTRATION SYSTEMS

Stock Code	Product Descriptions	Flow (m³/h)
5-HXP-HP60-2	High Flow PVC 60" x 2 Filtration System	60
5-HXP-HP60-3	High Flow PVC 60" x 3 Filtration System	90
5-HXP-HP60-4	High Flow PVC 60" x 4 Filtration System	120
5-HXP-HP60-6	High Flow PVC 60" x 6 Filtration System	180
5-HXP-HP60-8	High Flow PVC 60" x 8 Filtration System	240

* Flowrates are calculated according to 6 bar pressure and 5 mic.precision.



HPF-60-2



HPF-60-3



HPF-60-4



HPF-60-6



HPF-60-8



HydroSEP SEPERATOR FILTERS

Stock Code	Product Descriptions	Flow (m ³ /h)	In - Out			
5-SEP-15	Hydrosep-15 Seperatör Filter	1-1,5	½"			
5-SEP-20	Hydrosep-20 Seperatör Filter	2-7,5	¾"			
5-SEP-25	Hydrosep-25 Seperatör Filter	6 - 11	1"			
5-SEP-32	Hydrosep-32 Seperatör Filter	10 - 16	1 ¼"			
5-SEP-40	Hydrosep-40 Seperatör Filter	14 - 18	1 ½"			
5-SEP-50	Hydrosep-50 Seperatör Filter	17 - 24	2"			
5-SEP-65	Hydrosep-65 Seperatör Filter	22 - 35	2 ½"			
5-SEP-80	Hydrosep-80 Seperatör Filter	35 - 66	3"			
5-SEP-100	Hydrosep-100 Seperatör Filter	64 - 110	4"			

* Operating Pressure Max. 10 Bar

* Drainage Line : 1"

* Filtration : 70-110 μ



AUTOMATIC BLOWDOWN VALVES

Stock Code	Product Descriptions	
5-SEP-25-P-2	Automatic Blowdown Valve 1" (Local)	
5-HON-008	Automatic Blowdown Valve DN15-DN50 (Imported)	
5-HON-009	Automatic Blowdown Valve DN65-DN100 (Imported)	



HydroBAG BAG FILTRATION SYSTEMS

Stock Code	Product Descriptions	In - Out	Dimension		
5-BAG-732-10-Y	HydroBAG 732 (8-10 bar)(Local)	2"	32"		
5-BAG-732-10	HydroBAG 732 (8-10 bar)	2"	32"		
5-BAG-732-16-Y	HydroBAG 732 (16 bar)(Local)	2"	32"		
6-7-30	Bag Filter				



HFT PVC BAG FILTER

Stock Code	Product Descriptions	In - Out	Dimension	Material	Price
5-BAG-PP732	HydroBAG PVC 732	2"	32"	PVC	

* Operating Pressure Max. 4 Bar





HydroSFS CARTRIDGE FILTERS

Stock Code	Product Descriptions	Flow (m ³ /h)	In - Out	Dimension	Body	Qty.		
5-SFS-303	HydroSFS 303	9	2"	30"	AISI 304	3		
5-SFS-403	HydroSFS 403	12	2"	40"	AISI 304	3		
5-SFS-305	HydroSFS 305	15	2"	30"	AISI 304	5		
5-SFS-405	HydroSFS 405	20	2"	40"	AISI 304	5		
5-SFS-307	HydroSFS 307	21	2"	30"	AISI 304	7		
5-SFS-407	HydroSFS 407	28	2"	40"	AISI 304	7		
5-SFS-310	HydroSFS 310	30	DN100	30"	AISI 304	10		
5-SFS-410	HydroSFS 410	40	DN100	40"	AISI 304	10		
5-SFS-416	HydroSFS 416	64	DN100	40"	AISI 304	16		
5-SFS-422	HydroSFS 422	88	DN100	40"	AISI 304	22		

* The data in the table are determined according to flow rates with 5 micron precision.

* Operating Pressure Max. 8 Bar

HydroSFS CLAMP-IN CARTRIDGE FILTERS

Stock Code	Product Descriptions	Flow (m ³ /h)	In - Out	Dimension	Body	Qty.		
5-SFS-C303	Hydro SFS 303 Clamp-In	9	2"	30"	AISI 304	3		
5-SFS-C305	Hydro SFS 305 Clamp-In	15	2"	30"	AISI 304	5		
5-SFS-C403	Hydro SFS 403 Clamp-In	12	2"	40"	AISI 304	3		
5-SFS-C405	Hydro SFS 405 Clamp-In	20	2"	40"	AISI 304	5		

* The data in the table are determined according to flow rates with 5 micron precision.

* Operating Pressure Max. 5 Bar



Cartridge Filters



Cartridge Filters



HydroSFS PVC FILTERS

Stock Code	Product Descriptions	Flow (m ³ /h)	In - Out	Dimension	Body	Qty.
5-SFS-PP 203	Hydro PVC 203	6	2"	20"	PVC	3
5-SFS-PP205	Hydro PVC 205	10	2"	20"	PVC	5
5-SFS-PP305	Hydro PVC 305	15	2"	30"	PVC	5
5-SFS-PP403	Hydro PVC 403	15	2"	40"	PVC	3
5-SFS-PP405	Hydro PVC 405	20	2"	40"	PVC	5
5-SFS-PP309	Hydro PVC 309	27	3"	30"	PVC	9
5-SFS-PP409	Hydro PVC 409	36	3"	40"	PVC	9

* Operating Pressure Max. 4 Bar





STANDARD DOSAGE PUMPS

Stock Code	Product Descriptions	Flow (l/h)	Pressure (bar)	
4-DOZ-SEKO-AML200	AML 200 Analogue, Constant Flow Standard Pump	3-5	10-8	
4-DOZ-SEKO-KCL632	KCL 632 Analogue, Constant Flow Standard Pump	2	7	
4-DOZ-SEKO-KCL633	KCL 633 Analogue, Constant Flow Standard Pump	5	5	
4-DOZ-SEKO-KCL630	KCL 630 Analogue, Constant Flow Standard Pump	0,6	7	

PH AND ORP, TEMPERATURE CONTROLLED DOSAGE PUMPS

Stock Code	Product Descriptions	Flow (l/h)	Pressure (bar)	
4-DOZ-SEKO-TPR603	TPR 603 Digital, Ph, ORP, PT100 Temperature probe input, Alarm relay, Level sensor input, 4-20 mA output	4-5-6-8	12-10-8-2	
4-DOZ-SEKO-DRP200	DRP 200 Digital, 1/5 Flow rate can be adjusted. Ph, ORP, PT100 Temperature Probe Input, Alarm Relay, Level Sensor Input	3-5	10-8	
4-DOZ-SEKO-TPR803	TPR803 Digital, Ph, ORP, PT100 Temperature Probe Input, Alarm Relay, Level Sensor Input, 4-20 mA Output	20-32-62-110	5-4-2-0	

FLOW CONTROLLED DOSAGE PUMPS

Stock Code	Product Descriptions	Flow (l/h)	Pressure (bar)	
4-DOZ-SEKO-APG603	APG603 Analog, Flow Controlled, Pulse Controlled Input, Level Sensor Input, 4-20 mA Output	4-5-6-8	12-10-8-2	
4-DOZ-SEKO-DPT200	DPT200 Digital, Water meter can be connected, Time controlled, 1/5 flow rate adjustable, 4-20 mA output	3-5	10-8	
4-DOZ-SEKO-TPG603	TPG603 Digital, Water meter can be connected, Time function and level sensor input, Proportional dosing can be done, 4-20 mA output	4-5-6-8	12-10-8-2	

TEKNA EVO AKS SERIES DOSING PUMPS

Stock Code	Product Descriptions	Flow (l/h)	Pressure (bar)	
4-DOZ-SEKO-AKS603	AKS603 - Analog, Constant Flow Standard Pump	4-5-6-8	12-10-8-2	
4-DOZ-SEKO-AKS803	AKS803 - Analog, Constant Flow Standard Pump	20-32-62-110	5-4-2-0	





MS1 SERIES MECHANICAL DIAPHRAGM DOSAGE PUMPS

Product Descriptions	Flowmeter	Pulse / min	FLOW [l/h]	MAX PRESSURE		Connection	ENGINE 3 ph kW	PUMP HEAD					
				BAR				SS316 [21]	PVC [31]	PP [51]	PP / AISI [52]	PVDF [41]	
				SS316	PVC								
MS1A064	A	64	58	5,5	16	10	1/4" Gf	0,18 (A4)					
	B		78	8,0									
	C		116	11,0									
MS1A094	A	94	58,0	20,0	16	10	3/8" Gf	0,18 (A4)					
	B		78,0	26,0									
	C		116,0	40,0									
MS1B108	A	108	58	60,0	10	10	3/8" Gf	0,37 (C4)					
	B		78	80,0									
	C		116	120									
MS1C138	A	138	58	155,0	7	7	3/4" Gf	0,37 (C4)					
	B		78	220,0			1" Gf						
	C		116	310									
MS1C165	A	165	58	230,0	5	5	1" Gf	0,37 (C4)					
	B		78										
	C		116	500,0					3	3			

	MODEL	PUMP HEAD	ENGINE
EXAMPLE	MS1C138A	21	C4

Flow : 155 l/h Pump Head : SS316
Pressure : 7 bar Engine : 0,37 KW 3 ph

Dosing pump with digital display. It can be throttled at the rate of 1/5 from the flow rates stated above. It has pH or Redox control input, PT100 temperature probe input, 4-20 mA output, alarm relay, level sensor input. Duck feet come out of it.

Pump Head : PVDF

Check valves: Ceramic

Diaphragm: Teflon

Suction discharge injector attached to the end of the hose: PVDF

The probe is not included.

MS0 SERIES MECHANICAL DIAPHRAGM DOSAGE PUMPS

Product Descriptions	Flowmeter	Pulse / min	FLOW [l/h]	MAX PRESSURE		CONNECTION	ENGINE 3 ph kW	PUMP HEAD	
				BAR				SS316 [21]	PVDF [41]
				SS316	PVC				
MSV	I	070	26	10,0	5	Ø8x12	0,06 3ph 380Vac50/60 Hz		
			43	20,0					
			83	40,0					
			130	60,0					
	F	070	144	90,0	3				
	H	070	144	120,0					

Dosing pump with digital display. It can be throttled at the rate of 1/5 from the flow rates stated above. It can make dosing with weekly time setting. 10 different times can be commanded.

Level sensor input available. Duck feet come out of it.

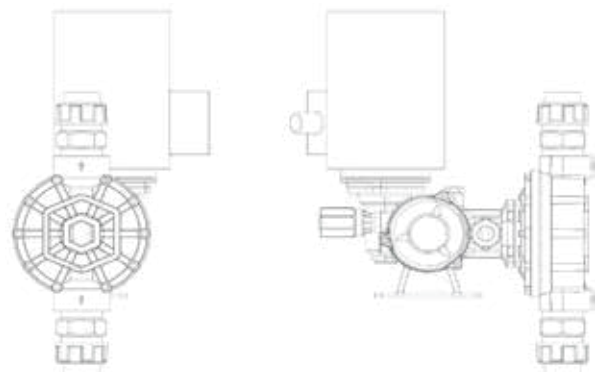
Pump head : PVDF

Check valves: Ceramic

Diaphragm: Teflon

Suction discharge injector attached to the end of the hose: PVDF

PUMP HEAD	MECHANICAL DIAPHRAGM PUMPS				
	HEAD	DIAPHRAGM	VALVE	VALVE	O-RING
21	SS316	PTFE	SS316	SS316	FPM
31	PVC	PTFE	Ceramic	PTFE	FPM
51	PP	PTFE	Ceramic	PTFE	FPM
52	PP	PTFE	SS316	SS316	FPM
41	PVDF	PTFE	Ceramic	PVDF	FPM





DOSAGE PUMP SPARE PARTS

Stock Code	Product Descriptions	
4-DOZ-YSEKO-9900105002	9900105002 SPH-1-S-6 pH Prob	
4-DOZ-YSEKO-9900105032	9900105032 SRH1-PT-S 6 ORP Prob	
4-DOZ-YSEKO-9900106670	9900106670 PSS3- Pipe Type Sensor Holder	
4-DOZ-YSEKO-9900103021	9900103021 PSS 7-Single - Cup Type Triple Sensor Holder	
4-DOZ-YSEKO-9900100111	9900100111 PSS2-Immersion Type Sensor Holder 1000 mm	
4-DOZ-YSEKO-9900102005	9900102005 pH Solution Kit 2x70 cc.	
4-DOZ-YSEKO-9900107132	9900107121 TEKNOEVO Suction - Compression Kit (500-600-683-800)	
4-DOZ-YSEKO-9900107158	9900107158 AKS 603 * PVC Compression Check Valve, Viton Seal	
4-DOZ-YSEKO-EM99070105	EM99070105 AKS 603 * Compression and Suction Check Valves Set	
4-DOZ-YSEKO-EM99106342	EM99106342 KCL 632 Electronic Card	
4-DOZ-YSEKO-EM99106305	EM99106305 KCL 633 Electronic Card	
4-DOZ-YSEKO-9900102004	9900102004 50cc MV465 Solution (ORP)	
4-DOZ-YSEKO-EM99121000	EM99121000 Level Sensor (Level Probe)	
4-DOZ-YSEKO-9900100073	9900100073 Level Sensor Pipe Type (Level Probe)450x22mm	
4-DOZ-YSEKO-9900101103	9900101103 CTK-10 Conductivity Probe with Temperature Sensor-Wireless measuing Range: 0.01...500µs, C=0.1 cm-1 K=10 cm , Max Temperature=100°C Body:PPSS 316, IP65 Assembly: 3/4" G.M. Connection:4- Polar M Connector	
4-DOZ-YSEKO-9900101102	9900101102 CTK-5 Conductivity Probe Temperature Sensor - Without Cable Dimension Range: 0,5...2000µs, C=0,2 cm-1 K=5 cm , Max Temperature =100°C Body:PP, Elek- trot:SS 316, IP65 Assembly : 3/4" G.M. Connection:4- Polar M Connector	
4-DOZ-YSEKO-9900101101	9900101101 CTK-1 Conductivity Probe Temperature Sensor- Without Cable Dimension Range : 5...5000µs, C=1 cm-1 K=1 cm , Max Temperature=100°C Body:PP, Elektrot:SS 316, IP65 Assembly: 3/4" G.M. Connection:4- Assembly M Connector, IP65	



SPH-1-S-6 PH SENSOR



SRH1-PT-S 6 RX SENSOR



PSS3
SENSOR
HOLDER



PSS7 SENSOR
HOLDER



9900107132
PVC SUCTION
FILTER



9900107138
PVC PRESS
INJECTOR



PI-PVC 1000 SENSOR
HOLDER



DOSAGE PUMP SPARE PARTS

Stock Code	Product Descriptions
4-DOZ-YSEKO-9900110111	9900110111 CC-5 4 Pole Connector Cable, Length:5M
4-DOZ-YSEKO-9900110112	9900110112 CC-10 4 Pole Connector Cable, Length:10 M
4-DOZ-YSEKO-9900110113	9900110113 CC-15 4 Pole Connector Cable, Length:15 M
4-DOZ-YSEKO-9900317011	9900317011 Sfw-1 Epdm Pedal Type Flow Sensor 5÷24vacc, Ip65, Body CPVC
4-DOZ-YSEKO-9900317013	9900317013 Sfw-2 Epdm Pedal Type Flow Sensor 5÷24vacc, Ip65, Body CPVC



MV465 SOLUTION



PH4-7 SOLUTION



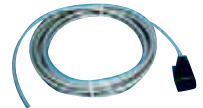
LEVEL SENSOR



LEVEL WITH PIPE



CTK5 SENSOR

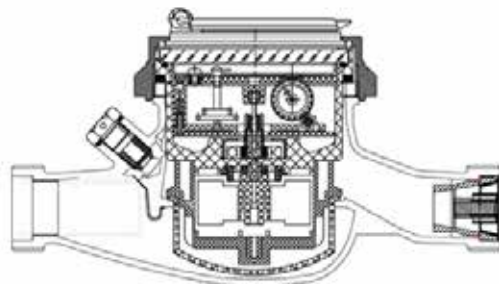


CC5 CABLE

COLD WATER FLOWMETER (PULSE)

Product Descriptions	Dimension	Max Flow m ³ /h	Connection
Cold Water Flowmeter ¾" Pulse Outlet	DN20	2,5	¾"
Cold Water Flowmeter 1" Pulse Outlet	DN25	3,5	1"
Cold Water Flowmeter 1 ¼" Pulse Outlet	DN32	5	1 ¼"
Cold Water Flowmeter 1 ½" Pulse Outlet	DN40	10	1 ½"
Cold Water Flowmeter 2" Pulse Outlet	DN50	40	2"
Cold Water Flowmeter 2 ½" Pulse Outlet	DN65	63	2 ½"
Cold Water Flowmeter 3" Pulse Outlet	DN80	65	3"
Cold Water Flowmeter 4" Pulse Outlet	DN100	100	4"
Cold Water Flowmeter 5" Pulse Outlet	DN125	160	5"
Cold Water Flowmeter 6" Pulse Outlet	DN150	250	6"
Cold Water Flowmeter 8" Pulse Outlet	DN200	400	8"

* Signal cable is included in cold water meter prices, it is mounted on the meter.



FEATURES

- It has a multi-jet working system.
- It is MID approved in accordance with European 2004/22EC directives.
- It is resistant to temperatures of 50 °C and 90 °C, and 16 bar pressure.
- Brass casting body.
- It is mounted horizontally and does not require a straight pipe connection.
- Reed Switch models with pulse output are available.
- It has a magnetically transferred dry type indicator.
- All meters are tested at three points (Qmax, Qt, Qmin)

APPS

- In textile machinery,
- In calorimeter systems,
- In boiler feed lines,
- Paint, in the chemical and food industries,
- In water treatment systems,
- In all kinds of factory automation systems,
- It can be used in the measurement and control of all kinds of clean water.



HydroLIGHT ULTRAVIOLE SYSTEMS

Stock Code	Product Descriptions	Connection	Capacity	Lamp	Power (watt)		
4-UV-SIS-0.2	HydroLight-0.2	¼"	0,2	1	8		
4-UV-SIS-0,5-16	HydroLight-0.5	½"	0,5	1	16		
4-UV-SIS-1,5	HydroLight-1.5	1"	1,5	1	30		
4-UV-SIS-3	HydroLight-3	1"	3	1	40		
4-UV-SIS-5	HydroLight-5	1"	5	1	65		
4-UV-SIS-10	HydroLight-10	1 ½"	10	2	130		
4-UV-SIS-15	HydroLight-15	2"	15	3	195		
4-UV-SIS-20	HydroLight-20	2"	20	4	260		
4-UV-SIS-30	HydroLight-30	2 ½"	30	6	390		
4-UV-SIS-40	HydroLight-40	3"	40	8	520		
4-UV-SIS-50	HydroLight-50	3"	50	10	650		

Digital counter meter showing the working time of the lamps (in models after HydroLight-3) List Price Difference \$ 85

- * Stainless Steel AISI 304 body
- * Led lights indicating that the lamps are working
- * UV Adapter is used as a panel in all models
- * Working pressure 6 bar
- * On/Off
- * Analogue counters are available for products with special panels..



ULTRAVIOLET CONTROL PANEL

Stock Code	Product Descriptions	Power (watt)	
4-UV-A-A06	UV Adapter	6	
4-UV-A-A	UV Adapter	16-65	
4-UV-KP-1	UV Pano Single (Mechanical With Meter)	65	
4-UV-KP-2	UV Panel Two (Mechanical With Meter)	130	
4-UV-KP-3	UV Panel Triple (Mechanical With Meter)	195	
4-UV-KP-4	UV Panel Quad (Mechanical With Meter)	260	
4-UV-KP-6	UV Panel Six (Mechanical With Meter)	390	
4-UV-KP-8	UV Panel Eight (Mechanical With Meter)	520	
4-UV-KP-10	UV Panel Ten (Mechanical With Meter)	650	



ULTRAVIOLET SPARE EQUIPMENT

Stock Code	Product Descriptions	Power (watt)	
4-UV-YED-002	UV Quartz O-Ring		
4-UV-YED-006	UV Cable Socket		
4-UV-YED-001	UV Record Metal		
4-UV-YED-003	UV Timer		
4-8-400	Ultraviolet MK Ballast	25 - 40 - 55	



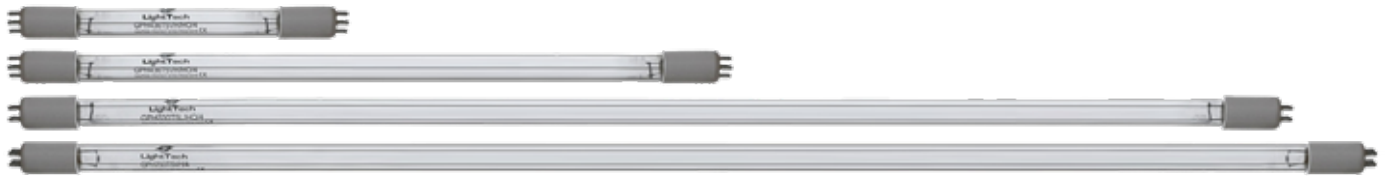
HydroLIGHT LAMP

Stock Code	Product Descriptions	Power (watt)	
4-UV-L-H212	GPH212 Ultraviolet Lamp	10	
4-UV-L-H287	GPH287 Ultraviolet Lamp	14	
4-UV-L-H357	GPH357 Ultraviolet Lamp	17	
4-UV-L-H436	GPH436 Ultraviolet Lamp	21	
4-UV-L-H450	GPH450 Ultraviolet Lamp	21	
4-UV-L-H463	GPH463 Ultraviolet Lamp	22	
4-UV-L-H793	GPH793 Ultraviolet Lamp	38	
4-UV-L-H843	GPH843 Ultraviolet Lamp	41	
4-UV-L-H843-65	GPH843 Ultraviolet Lamp	65	
4-UV-L-H1149	GPH1149 Ultraviolet Lamp	55	
4-UV-L-H1459	GPH1459 Ultraviolet Lamp	75	
4-UV-L-H1554-250	Amalgam 1554 UV Lamp	250	



Lighttech UV LAMP

Stock Code	Product Descriptions	Power (watt)	
4-UV-L212	Lighttech GPH 212 T5/L UV Lamp	10	
4-UV-L450	Lighttech GPH 450 T5/L UV Lamp	21	
4-UV-L793	Lighttech GPH 793 T5/L UV Lamp	38	
4-UV-L846	Lighttech GPH 846 T5/L UV Lamp	41	
4-UV-L846 HO	Lighttech GPH 846 T5/L HO UV Lamp	65	
4-UV-L-L1554	Lighttech GPH 1554 T6 UV Lamp	320	



QUARTZ GLASS

Stock Code	Product Descriptions	
4-UV-C-2023-260-1	20 23 260 Quartz Glass Domed	
4-UV-C-2023-495-1	20 23 495 Quartz Glass Domed / Open	
4-UV-C-2023-900-1	20 23 900 Quartz Glass Domed / Open	
4-UV-C-2023-1159-1	20 23 1159 Quartz Glass Open	
4-UV-C-2023-1564-1	20 23 1564 Quartz Glass Open	
4-UV-C-2832-450-2	28 32 450 Quartz Glass Domed	
4-UV-C-2832-900-2	28 32 900 Quartz Glass Domed	
4-UV-C-2831-1620	Amalgam 28x31x1620 Quartz	





Premium Series

Helixfil Series



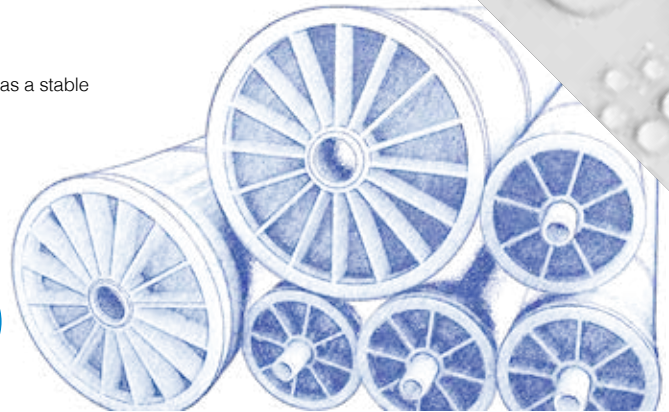
HT5-4040-LP

It is suitable for use in waters with TDS less than 5000 ppm. It provides high performance in the removal of soluble brine such as TOC, Silica. Especially suitable for pure water, electricity and energy industry use. It has a stable 99.6% removal efficiency.

PURO-II

Its chemical resistance is higher. It is suitable for use in waters less than 10.000 ppm. It has a stable 99.8% removal efficiency. It is suitable for recycling wastewater. 34 mile spacer.

Industrial Series





LP SERIES - STANDART MEMBRANES

Stock Code	Product Descriptions	Brine Removal %	GPD	Psi (MPA)	ppm	
3-1-RO-V-4040-LP21	LP21-4040	99.6	2800(10.6)	225(1.55)	2000	
3-1-RO-V-8040-LP22	LP22-8040	99.7	10500(39.7)	225(1.55)	2000	
3-1-RO-V-8040-LP22-440	LP22-8040-440	99.7	11500(43.5)	225(1.55)	2000	

ULP SERIES - LOW PRESSURE MEMBRANES

Stock Code	Product Descriptions	Brine Removal %	GPD	Psi (MPA)	ppm	
3-1-RO-V-2521-ULP21	ULP21-2521	99.0	300(1.13)	150(1.03)	1500	
3-1-RO-V-2540-ULP21	ULP21-2540	99.0	750(2.84)	150(1.03)	1500	
3-1-RO-V-4021-ULP21	ULP21-4021	99.0	950(3.6)	150(1.03)	1500	
3-1-RO-V-4040-ULP21	ULP21-4040	99.5	2600(9.8)	150(1.03)	1500	
3-1-RO-V-8040-ULP22	ULP22-8040	99.0	12100(45.8)	150(1.03)	1500	
3-1-RO-V-8040-ULP32-440	ULP32-8040-440	99.3	12650(47.9)	150(1.03)	1500	

HELIXFIL SERIES



Stock Code	Product Descriptions	Brine Removal %	GPD	Psi (MPA)	ppm	
3-1-RO-V-4040 HT5	HT5-4040-LP	99.6	1500(5.7)	225(1.55)	5000	
3-1-RO-V-8040-PUROII	PURO-II	99.8	11500(43.5)	225(1.55)	2000	





SW SERIES - SEA WATER MEMBRANES

Stock Code	Product Descriptions	Brine Removal %	GPD	Psi (MPA)	ppm	
3-1-RO-V-2521-SW11	SW11-2521	99.5	270 (1.0)	800(5.5)	32000	
3-1-RO-V-2540-SW11	SW11-2540	99.5	600 (2.3)	800(5.5)	32000	
3-1-RO-V-4021-SW11	SW11-4021	99.5	750 (2.8)	800(5.5)	32000	
3-1-RO-V-4040-SW4040LE	SW4040LE	99.7	1900 (7.2)	800(5.5)	32000	
3-1-RO-V-8040-SWLE-400	SWLE-8040-400	99.8	9000 (34.0)	800(5.5)	32000	
3-1-RO-V-8040-SWLE-440	SWLE-8040-440	99.8	9500 (35.9)	800(5.5)	32000	

SW SERIES SEA WATER MEMBRANES





FR SERIES - HIGH POLLUTION

Stock Code	Product Descriptions	Brine Removal %	GPD	Psi (MPA)	ppm	
3-1-RO-V-4040-FR11	FR11-4040	99.5	2200(8.3)	225(1.55)	2000	
3-1-RO-V-8040-FR12	FR12-8040	99.5	10500(39.7)	225(1.55)	2000	

XLP SERIES - ULTRA LOW PRESSURE MEMBRANES

Stock Code	Product Descriptions	Brine Removal %	GPD	Psi (MPA)	ppm	
3-1-RO-V-4040-XLP11	XLP11-4040	99.2	2600(9.8)	100(0.69)	500	
3-1-RO-V-8040-XLP12	XLP12-8040	99.2	12800(48.4)	100(0.69)	500	
3-1-RO-V-8040-XLP12-440	XLP12-8040-440	99.2		100(0.69)	500	





STANDARD MEMBRANES

Stock Code	Product Descriptions	inch	Brine Removal %	GPD m ³ /d	Spacer	Psi (MPA)	ppm	
3-1-RO-TM710D	TM710D	4"	99.8	9.8	31	225(1.55)	2000	
3-1-RO-TM720D-400	TM720D-400	8"	99.8	41.6	34	225(1.55)	2000	
3-1-RO-TM720D-440	TM720D-440	8"	99.8	45.8	28	225(1.55)	2000	
3-1-RO-TBW-440HR	TBW-440HR	8"	99.8	31.0	28	110 (0.75)	500	

LOW PRESSURE MEMBRANES

Stock Code	Product Descriptions	inch	Brine Removal %	GPD m ³ /d	Spacer	Psi (MPA)	ppm	
3-1-RO-TMG10D	TMG10D	4"	99.5	9.1	31	110(0.76)	500	
3-1-RO-TMG20D-400	TMG20D-400	8"	99.5	38.6	34	110(0.76)	700	
3-1-RO-TMG20D-440	TMG20D-440	8"	99.5	42.6	31	110(0.76)	700	

SEA WATER MEMBRANES

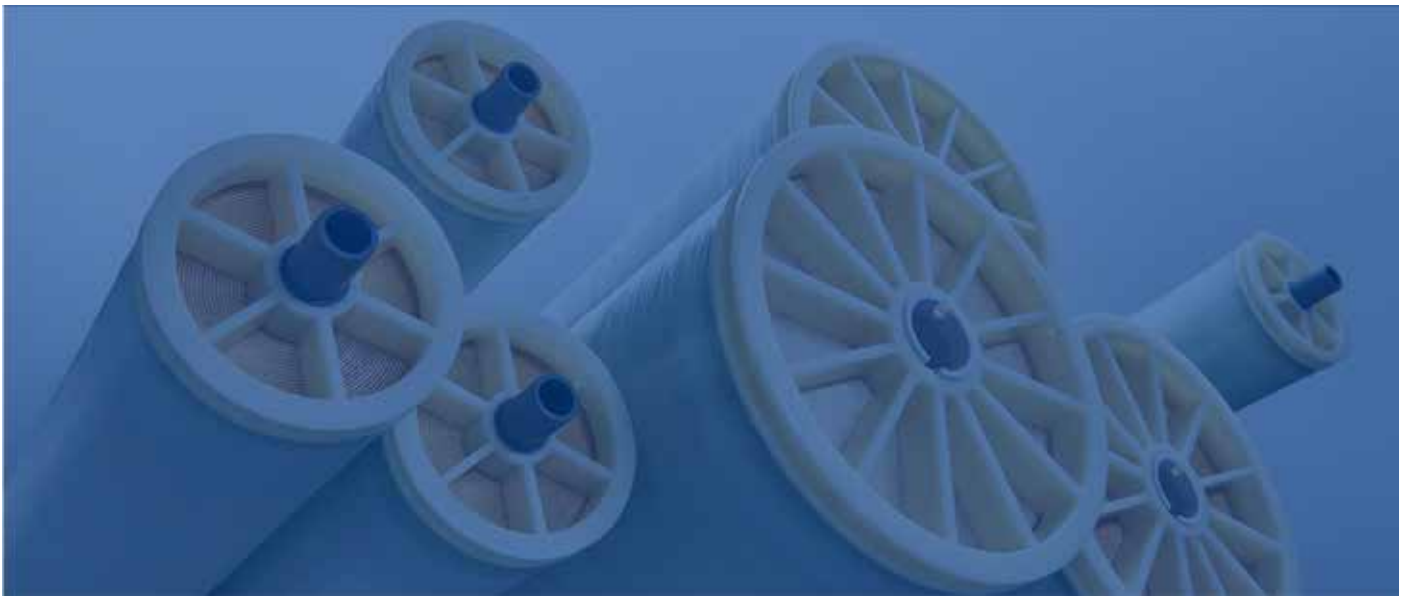
Stock Code	Product Descriptions	inch	Brine Removal %	GPD m ³ /d	Spacer	Psi (MPA)	ppm	
3-1-RO-TM810V	TM810V	4"	99.7	7.2	28	800(5.52)	32000	
3-1-RO-TM820V-400	TM820V-400	8"	99.8	34.1	34	800(5.52)	32000	
3-1-RO-TM820V-440	TM820V-440	8"	99.8	37.5	28	800(5.52)	32000	
3-1-RO-TM820M-400	TM820M-400	8"	99.8	26.5	34	800(5.52)	32000	
3-1-RO-TM820M-440	TM820M-440	8"	99.8	29.2	28	800(5.52)	32000	





ULTRA LOW PRESSURE MEMBRANES

Stock Code	Product Descriptions	inch	Brine Removal %	GPD m ³ /d	Spacer	Psi (MPA)	ppm	
3-1-RO-TMH10A	TMH10A	4"	99.3	9.1	31	110(0.76)	700	
3-1-RO-TMH20A-400C	TMH20A-400C	8"	99.3	41.6	28	100(0.69)	500	
3-1-RO-TMH20A-440C	TMH20A-440C	8"	99.3	45.7	28	110(0.76)	500	



HIGH ORGANIC POLLUTION MEMBRANES

Stock Code	Product Descriptions	inch	Brine Removal %	GPD m ³ /d	Spacer	Psi (MPA)	ppm	
3-1-RO-TML10D	TML10D	4"	99.8	7.2	34	225(1.55)	2000	
3-1-RO-TML20D-400	TML20D-400	8"	99.8	39.7	34	225(1.55)	2000	

HIGH ORGANIC POLLUTION - LOW PRESSURE MEMBRANE

Stock Code	Product Descriptions	inch	Brine Removal %	GPD m ³ /d	Spacer	Psi (MPA)	ppm	
3-1-RO-TLF400DG	TLF-400DG	8"	99.5	43.5	34	150(1.03)	2000	



STANDARD MEMBRANES

Stock Code	Product Descriptions	inch	Brine Removal %	GPD m ³ /d	Spacer	Psi (MPA)	ppm	
3-1-RO-CSM2540-BE	RE2540-BE	2.5"	99.70	3.02	28	225(1.55)	2000	
3-1-RO-CSM4021-BE	RE4021-TE	4"	99.70	3.9		225(1.55)	2000	
3-1-RO-CSM4040-BE	RE4040-BE	4"	99.70	9.08	32	225(1.55)	2000	
3-1-RO-CSM8040-BE34	RE8040-BE	8"	99.70	39.75	32	225(1.55)	2000	
3-1-RO-CSM8040-BE440	RE8040-BE440	8"	99.70	43.50	28	225(1.55)	2000	

LOW PRESSURE MEMBRANES

Stock Code	Product Descriptions	inch	Brine Removal %	GPD m ³ /d	Spacer	Psi (MPA)	ppm	
3-1-RO-CSM2540-BLN	RE2540-BLN	2.5"	99.20	3.02	28	150(1.03)	1500	
3-1-RO-CSM4021-TL	RE4021-TL	4"	99.20	3.97		150(1.03)	1500	
3-1-RO-CSM4040-BLN	RE4040-BLN	4"	99.20	9.80	32	150(1.03)	1500	
3-1-RO-CSM4040-BLR	RE4040-BLR	4"	99.60	7.20	32	150(1.03)	1500	
3-1-RO-CSM8040-BLN	RE8040-BLN	8"	99.20	45.40	32	150(1.03)	1500	
3-1-RO-CSM8040-BLN440	RE8040-BLN440	8"	99.20	49.20	28	150(1.03)	1500	

ULTRA LOW PRESSURE MEMBRANES

Stock Code	Product Descriptions	inch	Brine Removal %	GPD m ³ /d	Spacer	Psi (MPA)	ppm	
3-1-RO-CSM4040-BLF	RE4040-BLF	4"	99.20	9.40		100(0.69)	500	
3-1-RO-CSM8040-BLF	RE8040-BLF	8"	99.20	43.50	32	100(0.69)	500	





HIGH ORGANIC POLLUTION MEMBRANES

Stock Code	Product Descriptions	inch	Brine Removal %	GPD m ³ /d	Spacer	Psi (MPA)	ppm	
3-1-RO-CSM4040-FL	RE4040-FLR	4"	99.00	9.08		150(1.03)	1500	
3-1-RO-CSM8040-FEN	RE8040-FEN34	8"	99.70	39.75	34	225(1.55)	2000	
3-1-RO-CSM8040-FL	RE8040-FL	8"	99.20	41.6	32	150(1.03)	1500	

CHLORINE RESISTANT MEMBRANES

Stock Code	Product Descriptions	inch	Brine Removal %	GPD m ³ /d	Spacer	Psi (MPA)	ppm	
3-1-RO-CSM4040-CE	RE4040-CE	4"	99.00	8.6	32	225(1.55)	2000	

NANOFILTRATION MEMBRANES

Stock Code	Product Descriptions	inch	Brine Removal %	GPD m ³ /d	
3-1-RO-CSM4040-90	NE4040-90	4"	85-95	6.05	
3-1-RO-CSM4040-70	NE4040-70	4"	40-70	5.67	
3-1-RO-CSM8040-90	NE8040-90	8"	85-95	28.30	
3-1-RO-CSM8040-70	NE8040-70	8"	40-70	26.40	





HFT SERIES - STANDARD MEMBRANES

Stock Code	Product Descriptions	
3-1-RO-HFT-LP2521	LP21-2521	
3-1-RO-HFT-LP2540	LP21-2540	
3-1-RO-HFT-LP4021	LP21-4021	
3-1-RO-HFT-LP4040	LP21-4040	
3-1-RO-HFT-LP8040	LP22-8040	

ROPUR ANTISCALANT

Stock Code	Product Descriptions	Properties	Package	
7-KIM-ROPUR-2000	RPI-2000	Does not contain phosphate and phosphonate. Calcium, strontium and barium sulfate are most effective against scale. Also for calcium carbonate scales .Effective for heavy metal oxides and other fine particles	23.5 kg	
7-KIM-ROPUR-2800	RPI-2800	It does not contain phosphates and phosphonates. As a generator and content creation-stabilizer system for the sea.Found on membrane-surfaces organic debris can reduce shear. Another mode is the stabilizing effect for carbonates and sulfates.	23.5 kg	
7-KIM-ROPUR-3000A	RPI-3000A	It is an excellent inhibitor for calcium sulfate and calcium carbonate. Very stabilizer for barium and strontium sulfate is the effect. In addition, even iron can be stabilized. It is a dispersing agent for organic pollutants and metal oxides.	23.5 kg	
7-KIM-ROPUR-3000B	RPI-3000B	It is an excellent inhibitor for calcium sulfate and calcium carbonate. Very stabilizer for barium and strontium sulfate is the effect. In addition, even iron can be stabilized. It is a dispersing agent for organic pollutants and metal oxides.	23.5 kg	
7-KIM-ROPUR-4000A	RPI-4000A	It is a special antiscalant for inhibiting calcium, barium scale formation and strontium salts. Its activity is special for barium It is also notable for strontium sulfate. Also calcium can stabilize hardness and even iron.	23.5 kg	
7-KIM-ROPUR-4000B	RPI-4000B	It is a special antiscalant for inhibiting calcium, barium scale formation and strontium salts. Its activity is special for barium It is also notable for strontium sulfate. Also calcium can stabilize hardness and even iron.	23.5 kg	
7-KIM-ROPUR-4500A	RPI-4500A	Calcium, strontium and barium sulfate is the most effective antiscalant against scale as well as calcium carbonate scales. located polymers effectively prevent silicate scale formation	23.5 kg	
7-KIM-ROPUR-4900	RPI-4900	It is a stabilized solvent that neutralizes organic phosphonates and inorganic phosphonates. RPI-4900 shows a strong threshold and hence calcium carbonate, membrane systems, calcium sulfate and calcium fluoride prevent scaling effect. It prevents the accumulation of metal ions.	23.5 kg	
7-KIM-ROPUR-5000A	RPI-5000A	It is designed to prevent the formation of SiO2 in R.O systems. It does not contain phosphates and phosphonates. Under normal operation, the R.O concentrate flow can rise up to 260mg/lft. The most effective anti-skate against dissolved SiO2 and colloidal on the membrane surface.	23.5 kg	
7-KIM-ROPUR-6000	RPI-6000*	Based on stable anionic phosphonates. It is an excellent inhibitor for calcium sulfate scaling of waters. Extremely It is resistant to a high sulfate content (15,000 mg / l). RPI-6000 is also effective against calcium carbonate scales.	23.5 kg	
7-KIM-ROPUR-7000	RPI-7000	It is especially designed for stabilization of waters with high phosphate. It has phosphate blocking ability against silicate scales. It prevents the accumulation of metal oxides. It is suitable for use in a wide pH range. It does not contain phosphates and phosphonates.	23.5 kg	
7-KIM-ROPUR-8000	RWI-8000	The sludge formed as a result of the treatment of wastewater is decomposed to produce gas. Struvite (Magnesium ammonium phosphate) precipitation occurs in the digested sludge during the dewatering process. RWI-8000 is an antiscalant that prevents this precipitation.	23.5 kg	



ROPUR	RPI 2000	RPI 2800	RPI 3000A	RPI 4000A	RPI 4500A	RPI 4900	RPI 5000A	RPI 6000	RPI 7000
Feedwater source	BW/SW	SW	BW/SW	BW	BW	BW/SW	BW	BW	BW
CaCO ₃	●●●	●●●	●●●	●●●	●●	●●●	●	●●	●●●
CaSO ₄	●●	●	●●●	●●●	●●	●●	●	●●●	●
BaSO ₄ / SrSO ₄	●	●	●●●	●●●	●●	●●	●	●●	●
SiO ₂ -(H ₂ O) _x	○	○	●	●	●	●	●●●		●●
CaF ₂	●	○	●	●●	●	●●	○	●	●
Ca ₃ (PO ₄) ₂	●	●	○	●	●		●●	○	●●●
Fouling Inhibition	●●	●●	●●	●	●	○	●		●●
Fe/Mn/Al/Cu/Co	●●	●●	●●●	●●	●●	●●	●●	●	●●●

●●● Best ●● Very Good ● Good ○ Limited





Peak

PEAK MEMBRANE VESSELS

Stock Code	Product Descriptions	300 Psi
3-2-PEAK-4040	40x40 Membrane Vessel - 1 Element	
3-2-PEAK-4080	40x80 Membrane Vessel - 2 Element	
3-2-PEAK-40120	40x120 Membrane Vessel - 3 Element	
3-2-PEAK-8040	80x40 Membrane Vessel - 1 Element	
3-2-PEAK-8080	80x80 Membrane Vessel - 2 Element	
3-2-PEAK-80120	80x120 Membrane Vessel - 3 Element	
3-2-PEAK-80160	80x160 Membrane Vessel - 4 Element	
3-2-PEAK-80200	80x200 Membrane Vessel - 5 Element	
3-2-PEAK-80240	80x240 Membrane Vessel - 6 Element	



HFT
Türkiye Distribütör

HFT MEMBRANE VESSELS

Stock Code	Product Descriptions	300 Psi	1000 Psi
3-2-HFT-2521	25x21 Membrane Vessel		
3-2-HFT-2540	25x40 Membrane Vessel		
3-2-HFT-4021	40x21 Membrane Vessel		
3-2-HFT-4040	40x40 Membrane Vessel - 1 Element		
3-2-HFT-4080	40x80 Membrane Vessel - 2 Element		
3-2-HFT-40120	40x120 Membrane Vessel - 3 Element		
3-2-HFT-40160	40x160 Membrane Vessel - 4 Element		
3-2-HFT-8040	80x40 Membrane Vessel - 1 Element		
3-2-HFT-8080	80x80 Membrane Vessel - 2 Element		
3-2-HFT-80120	80x120 Membrane Vessel - 3 Element		
3-2-HFT-80160	80x160 Membrane Vessel - 4 Element		
3-2-HFT-80200	80x200 Membrane Vessel - 5 Element		
3-2-HFT-80240	80x240 Membrane Vessel - 6 Element		
3-2YED	4" Complete (Wedge, Plug, Clamp) - (Single Side)		
3-2YED	8" Complete (Wedge, Plug, Clamp) - (Single Side)		

4" - 8" Membrane vessel prices include Wedge, Plug, Clamp and Coupling



CODELINE MEMBRANE VESSELS

Stock Code	Product Descriptions	300 Psi	1000 Psi
3-2-COD-4040	40x40 FRP Membrane Vessel 1 Element		
3-2-COD-4080	40x80 FRP Membrane Vessel 2 Element		
3-2-COD-40120	40x120 FRP Membrane Vessel 3 Element		
3-2-COD-8040	80x40 FRP Membrane Vessel 1 Element		
3-2-COD-8080	80x80 FRP Membrane Vessel 2 Element		
3-2-COD-80120	80x120 FRP Membrane Vessel 3 Element		
3-2-COD-80160	80x160 FRP Membrane Vessel 4 Element		
3-2-COD-80200	80x200 FRP Membrane Vessel 5 Element		
3-2-COD-80240	80x240 FRP Membrane Vessel 6 Element		

4" - 8" Membrane vessel prices include Wedge, Plug, Clamp and Coupling



HFT SS304 MEMBRANE VESSELS

Stock Code	Product Descriptions	300 Psi
3-2-HFT-2521-MH-SS	25x21 Membrane Vessel	
3-2-HFT-4021-MH-SS	40x21 Membrane Vessel	
3-2-HFT-4040-MH-SS	40x40 Membrane Vessel	

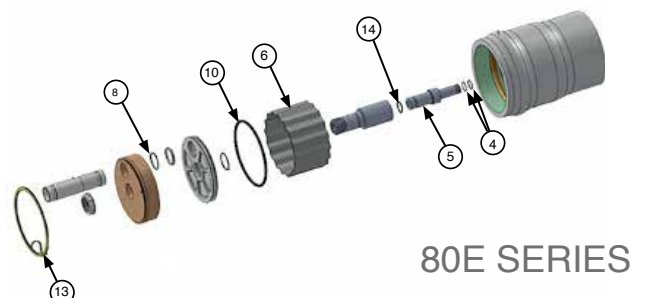
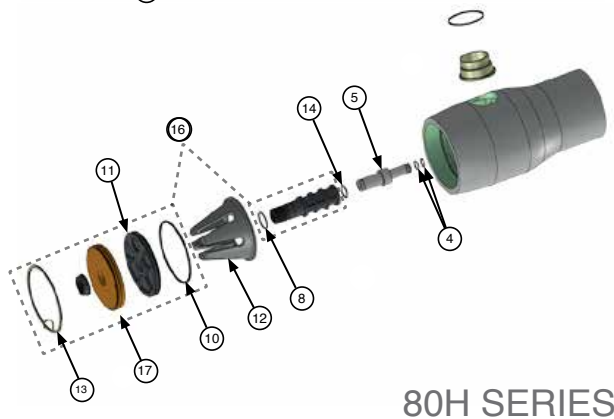
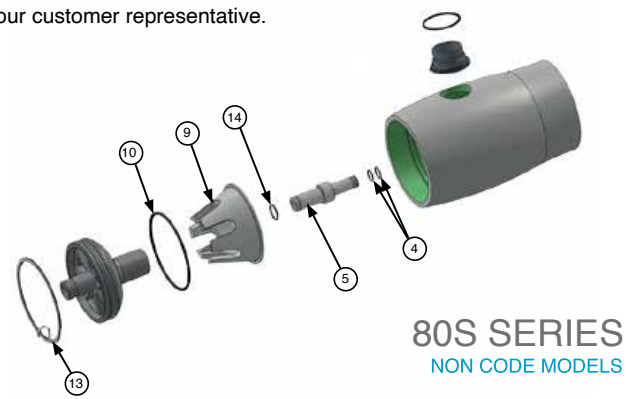
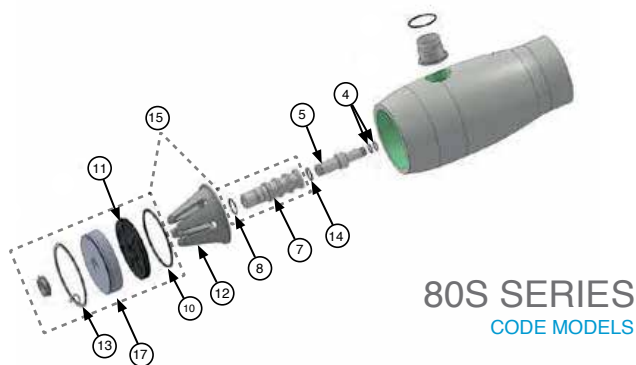




CODELINE MEMBRANE VESSELS SPARE PARTS

Stock Code	Product Descriptions	Picture No.	1000 Psi
3-29-COD-94160	Head Assy 80S100	15	
3-29-COD-94159	Head Assy 80S120	15	
3-29-COD-94173	Head Assy 80H100	16	
3-29-COD-94174	Head Assy 80H120	16	
3-29-COD-96158	8" Bearing Plate	17	
3-29-COD-96163	Thrust Cone - 80D & 80S Coded	12	
3-29-COD-97014	Thrust Cone - 80D & 80S Non-Coded	9	
3-29-COD-47336	Retaining Ring	13	
3-29-COD-45069	Thrust Ring	6	
3-29-COD-96160	Sealing Plate-80S Coded	11	
3-29-COD-96162	Permeate Port -80S Coded	7	
3-29-COD-96000	Head Seal 8"	10	
3-29-COD-52245	Adapter Seal New	14	
3-29-COD-45312	Permeate Port Seal	8	
3-29-COD-50161	Adapter Kit (Std.) up to 600 PSI	4-5-14	
3-29-COD-50165	Adapter Kit (Std.) 1000/1200 PSI	4-5-14	
3-29-COD-50626	Adapter Kit (Std.) up to 600 PSI 4"		
3-29-COD-50540	Adapter Kit (Std.) 1000/1200 PSI 4"		
3-29-COD-96421	Adapter Shimm 1mm		
3-29-COD-96271	Adapter Shimm 2mm		
3-29-COD-96272	Adapter Shimm 3mm		
3-29-COD-96422	Adapter Shimm 4mm		
3-29-COD-96245	Adapter Shimm 5mm		

* Adapter kits vary according to membrane brand and model. Please contact your customer representative.





R.O. PUMP

Stock Code	Product Descriptions	
3-31-0200	200 lt/h RO Pump	
3-31-0400	400 lt/h RO Pump	
3-31-0600	600 lt/h RO Pump	
3-31-1000	1000 lt/h RO Pump	



R.O. MOTORS



Stock Code	Product Descriptions	Power (Watt)	
3-32-0,33	0,33 HP - Direct Coupled	245	
3-32-0,5	0,5 HP - Direct Coupled	373	
3-32-0,75	0,75 HP - Direct Coupled	550	
3-32-1	1 HP R.O. Motor	640	
3-31-PR-48YZ	RO Coupling Elastic + Clamp Set 48YZ for 200-1000		
3-31-PR-48YZ-1			





ELECTRIC MOTORIZED VALVES

Stock Code	Product Descriptions	Power (VAC)			
1-14-96-T15	½" Valve	24 / 220			
1-14-96-T20	¾" Valve	24 / 220			
1-14-96-T30	1" Valve	24 / 220			
1-14-96-T40	1 ¼" Valve	24 / 220			



NEEDLE VALVES

Stock Code	Product Descriptions	Material	
3-72-20	½" Valve	SS 304	
3-72-25	¾" Valve	SS 304	
3-72-32	1" Valve	SS 304	



COUPLING & OPEN ENDS

Stock Code	Product Descriptions	
3-7-SS25-350	SS304 Virtualic Coupling ¾" 350Psi	
3-7-SS32-350	SS304 Virtualic Coupling 1" 350Psi	
3-7-SS50-350	SS304 Virtualic Coupling 1 ½" 350Psi	
3-7-SS63-350	SS304 Virtualic Coupling 2" 350Psi	
3-7-KSS-32-0	AISI 304 Opposite End Welded 1"	
3-7-KSS-50-0	AISI 304 Opposite End Welded 1 ½"	
3-7-KSS-32-1	AISI 304 Opposite End Geared 1"	
3-7-KSS-50-1	AISI 304 Opposite End Geared 1 ½"	



2003





R.O. SPARE PARTS

Stock Code	Product Descriptions	
3-71-011	Low Pressure Processor (Danfoss/Fantini) / LEFOO LF5508	
3-71-012	High Pressure Processor (Danfoss/Fantini) / LEFOO LF5532	
3-71-20-SS	½" Selenoid Valve	
3-71-25-SS	¾" Selenoid Valve	
3-71-32-SS	1" Selenoid Valve	
3-71-010	5 mt Cable Floater	
3-71-002	Gliserine Manometer 1/4"	



R.O. OPTIONAL SPARE PARTS

Stock Code	Product Descriptions	
3-4-CCT-3320V	Conductivity Meter (CCT 3320V-2)	
3-4-CCT-3220T	Conductivity Meter (CCT 3320) - 4-20 mA Output	
3-4-2003	CM-2003 RO Control Unit (ROC 2015)	
3-4-KP-2315	R.O. Control Panel + Conductivity Meter 2315	
3-4-KP-5230	CM-5230 Conductivity Meter Controls (CCT 5320E)	
3-4-KP-5630	CM-5630 Conductivity Meter Controls (CCT 5320E)	





FLOW METER - INLINE TYPE - PVC

Stock Code	Product Descriptions	Flow		Connection
		Debi	Lt/h	
3-84-0025-250	Inline Type PVC	0,4-4 LPM	25-250	¾"
3-84-0060-600	Inline Type PVC	1-7 LPM	60-600	¾"
3-84-0100-1000	Inline Type PVC	1,6-16 LPM	100-1000	1"
3-84-0120-1080	Inline Type PVC	2-18 LPM	120-1080	1"
3-84-0180-1800	Inline Type PVC	3-30 LPM	180-1800	1"
3-84-0250-2500	Inline Type PVC	0,25-2,5 m³/h	250-2500	1"
3-84-0600-6000	Inline Type PVC	0,6-6 m³/h	600-6000	1 ¼"
3-84-1000-10000	Inline Type PVC	1-10 m³/h	1000-10000	2"
3-84-1600-16000	Inline Type PVC	1,6-16 m³/h	1600-16000	2"
3-84-5000-25000	Inline Type PVC	5-25 m³/h	5000-25000	2 ½"
3-84-8000-40000	Inline Type PVC	8-40 m³/h	8000-40000	2 ½"
3-84-12000-60000	Inline Type PVC	12-60 m³/h	12000-60000	2 ½"
3-84-18000-120000	Inline Type PVC	18-120 m³/h	18000-120000	4"
3-84-20000-200000	Inline Type PVC	20-200 m³/h	20000-200000	4"

FLOW METER - ACRYLIC - PANEL TYPE

Stock Code	Product Descriptions	Flow		Connection
		LPM	Lt/h	
3-81-025-250	Panel Type	0.4-4	25-250	½"
3-81-060-420	Panel Type	1-7	60-420	½"
3-81-060-600	Panel Type	1-10	60-600	½"
3-81-120-1080	Panel Type	2-18	120-1080	½"
3-81-300-2100	Panel Type	5-35	300-2100	1"
3-81-600-3000	Panel Type	10-50	600-3000	1"
3-81-600-4200	Panel Type	10-70	600-4200	1"
3-81-600-7800	Panel Type	10-130	600-7800	1"
3-81-600-9000	Panel Type	10-150	600-9000	1"

FLOW METER - INLINE TYPE - THREADED

Stock Code	Product Descriptions	Flow		Connection
		LPM	Lt/h	
3-83-0060-420	Inline Type Threaded	1-7	60-420	½"
3-83-0120-1080	Inline Type Threaded	2-18	120-1080	½"
3-83-1200-6000	Inline Type Threaded	20-100	1200-6000	1"
3-83-4800-13200	Inline Type Threaded	80-220	4800-13200	1 ½"
3-83-4800-21600	Inline Type Threaded	80-360	4800-21600	1 ½"
3-83-9000-27000	Inline Type Threaded	150-450	9000-27000	2"



Inline Type - PVC



Acrylic - Pano Type



Inline Type - Threaded



SURFACE PIPELINED CONTROL PANELS

Stock Code	Product Descriptions	Body	Size (mm)
8-18-YZB-FPE	Filter Panel with Screen	IP65 Opaque Plastic	310 x 230 x 130
8-18-YZB-YPE	Softener Panel with Screen	IP65 Opaque Plastic	310 x 230 x 130
8-18-YZB-TPE	Tandem Softener Panel With Screen	IP65 Opaque Plastic	310 x 230 x 130



Filter Panel



Softener Panel



+



Tandem Panel

SURFACE PIPELINED SAND AND ACTIVE CARBON FILTER CONTROL PANELS



220v 50/60Hz

Raw Water Lower Level Signal Input

Product water Upper Level Signal Input

Working with Blower

5 Valve System Controller

Ability to Communicate with Each Other

SINGLE AND TANDEM SURFACE PIPELINE SOFTENER CONTROL PANELS



Single Panel

Raw Water Lower Level Signal Input

Product water Upper Level Signal Input

Working with Blower

7 Valve System Controller

Flow Meter Input

Ability to Communicate with Each Other



+



Tandem Board



R.O. BETA BOARDS

Stock Code	Product Descriptions	
8-18-BTO-250-500-PANO	Beta Ro 250-500 For Electric Board	
8-18-BTO-750-1500-PANO	Beta Ro 750-1500 For Electric Board	

BETA 250-500

Supply 220V 50/60 Hz
System control with single automatic Valve
Low Pressure Control
Product Water Tank Fill Level
Size: 345 x 255 x 150 mm
Body: IP65 Opaque Plastic Panel



BETA 750-1500

Supply 380V 50/60 Hz
System control with single automatic Valve
Low Pressure Control
Product Water Tank Fill Level
Size: 345 x 255 x 150 mm
Body: IP65 Opaque Plastic Panel



R.P. OMEGA BOARDS

Stock Code	Product Descriptions	
8-18-OMG-250-500-PANO	Omega Ro 250-500 For Electric Board	
8-18-OMG-750-1500-PANO	Omega Ro 750-1500 For Electric Board	

OMEGA 250-500

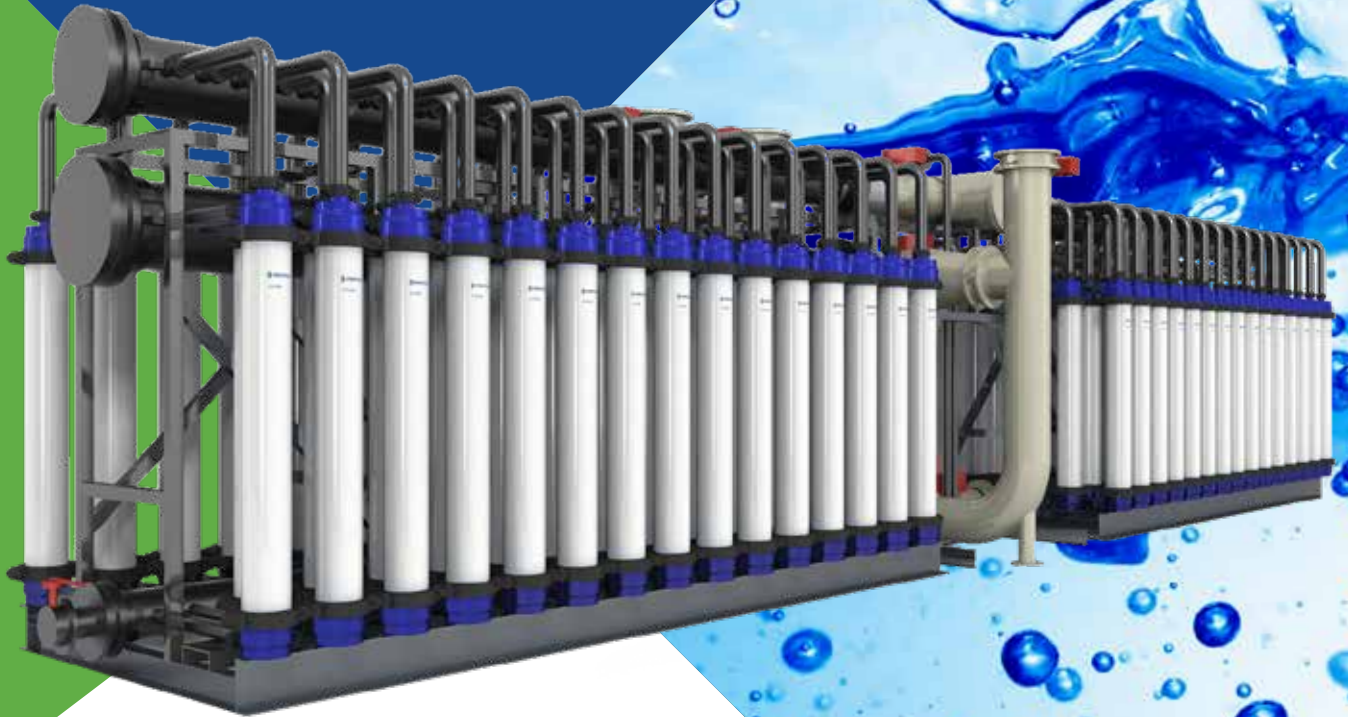
220V 50/60Hz
Automation Section 24V
System Control with 2 Automatic Valves
Auto flush
Low and High Pressure Control
Signal Input at Filter Washing
Size: 400x300x150mm
Body: IP65 Opaque Plastic Panel



OMEGA 750-1500

380V 50/60 Hz
Automation Section
2 Automatic Valve System Control
Auto Flush
Low and High Pressure Control
Signal Input in Filter Washing
Size: 400 x 300 x 150 mm
Body: IP65 Opaque Plastic Panel





PENTAIR

X-FLOW



HYDRO UF 64 SERIES SYSTEMS

Stock Code	Model	Number of Modules	Feed Flow	Product Flow	Backwash Pump	
			m ³ /h @2.5 bar	m ³ /h @2.5 bar	m ³ /h @3.5 bar	
O-UF-64-1	Hydro UF 64-1	1	5	4.7	15.4	
O-UF-64-2	Hydro UF 64-2	2	10	9.4	30.7	
O-UF-64-3	Hydro UF 64-3	3	15	14.1	46.1	
O-UF-64-4	Hydro UF 64-4	4	20	18.8	61.4	
O-UF-64-6	Hydro UF 64-6	6	30	28.1	92.2	
O-UF-64-8	Hydro UF 64-8	8	40	37.5	122.9	
O-UF-64-10	Hydro UF 64-10	10	50	46.9	153.6	
O-UF-64-12	Hydro UF 64-12	12	60	56.3	184.3	
O-UF-64-14	Hydro UF 64-14	14	70	65.6	215	
O-UF-64-16	Hydro UF 64-16	16	80	75	245.8	
O-UF-64-18	Hydro UF 64-18	18	90	84.4	276.5	
O-UF-64-20	Hydro UF 64-20	20	100	93.8	307.2	

*Please contact your customer representative for price information.

UF FILTRATION RAW SUGAR CRITERIA				
PARAMETRE	UNIT	GOOD QUATLY	MEDIUM QUATLY	LOW QUATLY
Turbidity	NTU	0-5	> 5-10	> 10-30
SS	mg/l	0-10	> 10-20	> 20-60
CON	mg/l	0-10	> 10-30	> 30-100
COC	mg/l	0-3	> 3-10	> 10-25
Color	Hazen	0-10	> 10-60	> 60-150
Alkalinity	mg/l CaCO ₃	50-300	50-300	50-300
pH	-	6.5-8.5	6.5-8.5	6.5-8.5
TDS	mg/l	200-2000	200-2000	200-2000
Temperature	°C	0-40	0-40	0-40

DESIGNED NET PRODUCT WATER VALUE (±10%)				
PARAMETRE	UNIT	GOOD QUALITY	MEDIUM QUALITY	LOW QUALITY
Hydro UF 64-2	m ³ /h	9.6	7.4	5.4
Hydro UF 64-4	m ³ /h	19	14	10
Hydro UF 64-8	m ³ /h	38	29	21
Hydro UF 64-12	m ³ /h	57	44	32
Hydro UF 64-20	m ³ /h	96	74	54

*2. System selection is made according to the desired output water value in the table.

* Water quality is determined according to the current raw water value from the 1st table.

TECHNICAL SPECIFICATIONS

Projections are required for waters that do not meet the above criteria.

*All Hydro UF 64 designs are based on a maximum AKM of 60 mg/l

It was built with 64 m² modules.

*Maximum values allowed in water analysis; Dissolved Fe <0.2

ppm, Dissolved Mn < 0.05 ppm, Dissolved Al < 0.1 ppm, Total Hardness < 100 ppm CaCO₃, Colloidal Silica < 1 ppm.

*It is assumed that there is no free oil in the systems. dissolved oil maximum 2 ppm rate is accepted.

*PN16 PVC piping is used in all systems.

* Raw water and backwash tanks in all devices are provided by the customer.

will be provided.

*Stainless Steel steel backwash pump is included in the price

*Product water flow rates will be digital pedal type. Feed and backwash flow rates are given in the table.

* Feeding pump is included in the price.

*Chemical dosing pumps will be used as Seko or equivalent.

*Air Integrity Test is not available in our systems. on demand is priced.

PLC+ Screen (operator panel) will be used in the panels of Hydro UF 64 devices.

*UF systems alone are not sufficient, and they are requested by our company in Single requests.

Please consult.

*UF 6 Series, UF membrane, Membrane outer casing, Chassis, Manual valve and

consists of equipment.



REVERSE OSMOSIS SYSTEMS



COMPACT SERIES REVERSE OSMOSIS SYSTEMS

Stock Code	RO Model	Product Size mm	Capacity lt/h	Membrane Type	Membrane Quantity	
0-ROC-0080 C	RO-Compact 80	560 x 380 x 880	80	25x21	1	
0-ROC-0160 C	RO-Compact 160	560 x 380 x 880	160	40x21	1	
0-ROC-0320 C	RO-Compact 320	560 x 380 x 880	320	40x21	2	



FEATURES

PRE-FILTRATION

20" 5 mic PP Filter
20" Siliphos + GAC Carbon Filter (50% - 50%)
20" CTO Filter

TECHNICAL SPECIFICATIONS

HFT membrane outer container
2.5" and 4" membrane
Oven painted carbon chassis
Low and high pressure line piping
Pump outlet and waste line regulating valve
Automatic valves solenoid or equivalent
low low transaction
Product water and waste water flow meters
rotary end pump
manometers
Mechanical board 220V



BETA SERIES REVERSE OSMOSIS SYSTEMS

Stock Code	RO Model	Feed Water Flowrate (m ³ /day)	Product Water Flowrate (m ³ /day)	Standard Efficiency	Membrane Type	Membrane Quantity		
0-RO-BT80	RO 80	3,75	1,5	% 40	25x40	1		
0-RO-BT160	RO 160	5	2	% 40	40x21	1		
0-RO-BT250	RO 250	10	5	% 50	40x40	1		
0-RO-BT500	RO 500	20	10	% 50	40x40	2		
0-RO-BT750	RO 750	30	15	% 50	40x40	3		
0-RO-BT1000	RO 1000	40	20	% 50	40x40	4		
0-RO-BT1250	RO 1250	50	25	% 50	40x40	5		
0-RO-BT1500	RO 1500	60	30	% 50	40x40	6		
0-RO-BT2000	RO 2000	66	40	% 60	40x40	8		
0-RO-BT2250	RO 2250	75	45	% 60	40x40	9		
0-RO-BT2500	RO 2500	83	50	% 60	40x40	10		
0-RO-BT3000	RO 3000	100	60	% 60	40x40	12		
0-RO-BT3750	RO 3750	125	75	% 60	40x40	15		

*System data may vary according to inlet water values.

*System designs are made according to 500 ppm value and 11 bar pressure.

*Responsibility belongs to the buyer in systems given without projection with detailed water analysis and/or in waters above 500 ppm

BETA SERIES



TECHNICAL SPECIFICATIONS

RO80-RO160 HFT Brand membrane housing

Peak Brand membrane housings between RO250-RO3750.

Vontron 2.5" and 4" membrane

Oven painted carbon steel chassis

Low and high pressure line piping PPRC

Pump outlet and waste line regulating valve (RO 750-RO 3000)

Automatic valves solenoid or equivalent

Low pressure processor

Product water and waste water flow meters

Product water conductivity indicator

Rotary type pump between RO 80-RO 500

Vertical shaft high pressure pump from RO 750 to RO 3000 manometers

Mechanical board 220V



OMEGA SERIES REVERSE OSMOSIS SYSTEMS

Stock Code	RO Model	Feed Water Flowrate (m ³ /day)	Product Water Flowrate (m ³ /day)	Standard Efficiency	Membrane Type	Membrane Quantity		
0-RO-OM80	RO 80	3,75	1,5	% 40	25x40	1		
0-RO-OM160	RO 160	5	2	% 40	40x21	1		
0-RO-OM250	RO 250	10	5	% 50	40x40	1		
0-RO-OM500	RO 500	20	10	% 50	40x40	2		
0-RO-OM750	RO 750	30	15	% 60	40x40	3		
0-RO-OM1000	RO 1000	40	20	% 60	40x40	4		
0-RO-OM1250	RO 1250	50	25	% 60	40x40	5		
0-RO-OM1500	RO 1500	60	30	% 60	40x40	6		
0-RO-OM2000	RO 2000	66	40	% 70	40x40	8		
0-RO-OM2250	RO 2250	75	45	% 70	40x40	9		
0-RO-OM2500	RO 2500	83	50	% 70	40x40	10		
0-RO-OM3000	RO 3000	100	60	% 70	40x40	12		
0-RO-OM3750	RO 3750	125	75	% 70	40x40	15		

*System data may vary according to inlet water values.

*System designs are made according to 500 ppm value and 11 bar pressure.

*Responsibility belongs to the buyer in systems given without projection with detailed water analysis and/or in waters above 500 ppm

OMEGA SERIES



TECHNICAL SPECIFICATIONS

HFT membrane housing

Vontron 2.5" and 4" membrane

SS304 stainless chassis

Low and high pressure line pipetting U-PVC

Pump outlet and waste line regulating valve (RO 750-RO 3000)

Automatic valves with actuator or equivalent

Low pressure and high pressure process

Product water, waste water and recycling (RO 250-RO 500) flow meters

Product water conductivity indicator auto flush valve

Rotary type pump between RO 80-RO 500

Vertical shaft high pressure pump from RO 750 to RO 3000 manometers

Mechanical board status lamps 24V



OKTA SERIES REVERSE OSMOSIS SYSTEMS

Stock Code	Capacity 20 °C m³/h	Membran Type	Membran Qty.	Standard Efficiency	Card Board Excluding CIP	Card Board Including CIP	PLC Board CIP Included				
0-ROK-02000	2	8x40	2	% 50							
0-ROK-03000	3	8x40	3	% 60							
0-ROK-04000	4	8x40	4	% 60							
0-ROK-06000	6	8x40	6	% 60							
0-ROK-08000	8	8x40	8	% 70							
0-ROK-10000	10	8x40	10	% 70							
0-ROK-12000	12	8x40	12	% 75							
0-ROK-15000	15	8x40	15	% 75							
0-ROK-18000	18	8x40	18	% 75							
0-ROK-24000	24	8x40	24	% 75							
0-ROK-30000	30	8x40	30	% 75							
0-ROK-36000	36	8x40	36	% 75							
0-ROK-42000	42	8x40	42	% 75							
0-ROK-48000	48	8x40	48	% 75							
0-ROK-60000	60	8x40	60	% 75							
0-ROK-72000	72	8x40	72	% 75							
0-ROK-96000	96	8x40	96	% 75							

*System data may vary according to inlet water values.

*System designs are made according to 2000 ppm value and 12 bar pressure.

*Responsibility belongs to the customer in systems given without projection with detailed water analysis and/or in waters above 2000 ppm.

OKTA SERIES



STANDARD FEATURES

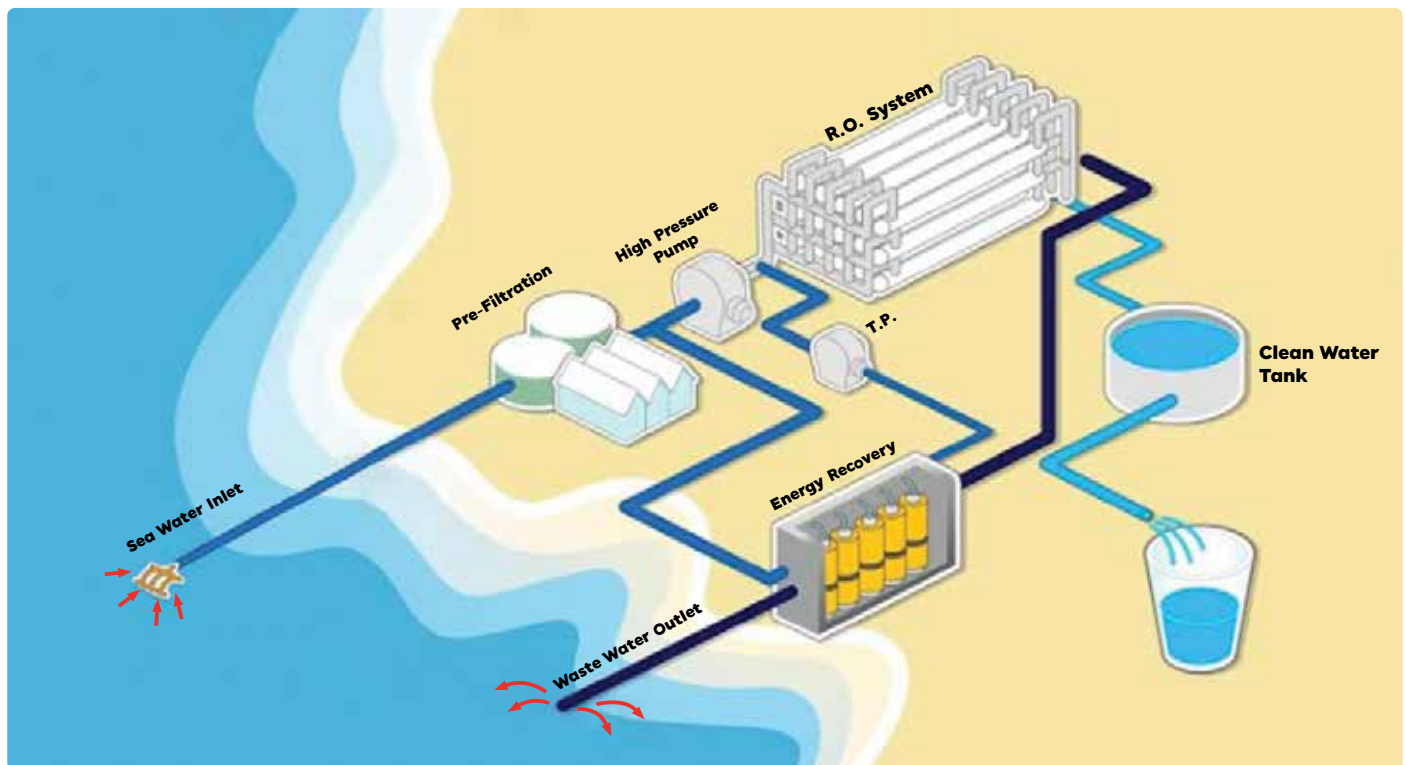
- *HFT membrane housing
- *HFT 8" membrane
- * Oven painted carbon steel chassis
- *PVC cartridge filter between RO 3000 - RO 18000
- *RO 24000 and above stainless cartridge filter
- *Low and high pressure line piping U-PVC (RO 1000-RO 30000 between)
- *Low and high pressure line piping U-PVC/AISI 304 stainless (between RO 36000-RO 96000)
- *Pump outlet and waste line regulating valve

- *Low pressure and high pressure process
- Product water and waste water flow meters
- Product water conductivity indicator (0-2000 Microsiemens)
- auto flush valve
- High pressure pump (SS 304)
- Manometers
- Tank and pump suitable for capacity in systems with CIP + Rinse
- Antiscalant unit not included
- Card or PLC panel option
- Automatic valves with electric actuation



SEA WATER REVERSE OSMOSIS SYSTEMS

Stock Code	RO Model	Capacity 15 °C m ³ /day	Membrane Type
0-ROSW-80	SW-80	80	8x40
0-ROSW-100	SW-100	100	8x40
0-ROSW-150	SW-150	150	8x40
0-ROSW-200	SW-200	200	8x40
0-ROSW-250	SW-250	250	8x40
0-ROSW-300	SW-300	300	8x40
0-ROSW-400	SW-400	400	8x40
0-ROSW-500	SW-500	500	8x40
0-ROSW-600	SW-600	600	8x40
0-ROSW-700	SW-700	700	8x40
0-ROSW-800	SW-800	800	8x40
0-ROSW-1000	SW-1000	1000	8x40



STANDARD FEATURES

- *HFT membrane housing
- *Vontron 8" membrane
- *Oven painted carbon steel chassis
- *Low pressure line piping U-PVC
- *High pressure line piping duplex stainless steel - super duplex stainless steel
- *Low pressure and high pressure transmitter
- Product water and waste water flow meters

- Product water conductivity indicator
- Auto flush valve
- High pressure pump (duplex stainless steel)
- Manometers
- Tank and pump suitable for capacity in systems with CIP+Rinse
- Antiscalant unit not included
- PLC panel
- Automatic valves with electric actuation



SAND FILTER SYSTEMS

Stock Code	Tank	Filtration Speed		Media Material		F71P1 (¾")	F71B1 (¾")	CLACK WS1 (1")	BNT FILTER (1")
		15 m/h	20 m/h	Anthracite (lt)	Quartz (kg)				
0-KUM-F0010	8x17	0.5	0.65	2	6				
0-KUM-F0020	8x35	0.5	0.65	7	14				
0-KUM-F0030	10x35	0.75	1	10	23				
0-KUM-F0050	10x54	0.75	1	15	38				

Stock Code	Tank	Filtration Speed		Media Material		F67P1 (1")	F67B1 (1")	CLACK WS1 (1")	
		15 m/h	20 m/h	Anthracite (lt)	Quartz (kg)				
0-KUM-F0050	10x54	0.75	1	15	38				
0-KUM-F0060	12x52	1	1.5	20	40				
0-KUM-F0075	13x54	1.3	1.7	25	50				
0-KUM-F0100	14x65	1.5	2	35	70				
0-KUM-F0150	16x65	2	2.6	50	100				
0-KUM-F0200	18x65	2.5	3.3	75	115				
0-KUM-F0250	21x62	3.3	4.5	85	175				

Stock Code	Tank	Filtration Speed		Media Material				CLACK WS125 (1 ¼")	FLOTROL 30 (1")
		15 m/h	20 m/h	Anthracite (lt)	Quartz (kg)				
0-KUM-F0075	13x54	1.3	1.7	25	55				
0-KUM-F0100	14x65	1.5	2	35	70				
0-KUM-F0150	16x65	2	2.6	50	100				
0-KUM-F0200	18x65	2.5	3.3	75	115				
0-KUM-F0250	21x62	3.3	4.5	85	175				

Stock Code	Tank	Filtration Speed		Media Material		F134A1 (1 ½")	N75A1 (2")	CLACK WS15 (1 ½")	FLOTROL 40 (1 ½")
		15 m/h	20 m/h	Anthracite (lt)	Quartz (kg)				
0-KUM-F0100	14x65	1.5	2	35	70				
0-KUM-F0150	16x65	2	2.6	50	100				
0-KUM-F0200	18x65	2.5	3.3	75	115				
0-KUM-F0250	21x62	3.3	4.5	85	175				
0-KUM-F0300	24x72	4.4	5.8	100	225				
0-KUM-F0500	30x72	6.8	9	125	475				

Stock Code	Tank	Filtration Speed		Media Material		N99B1 (2")	N77B1 (2")	CLACK WS2 (2")	FLOTROL 50 (2")
		15 m/h	20 m/h	Anthracite (lt)	Quartz (kg)				
0-KUM-F0250	21x62	3.3	4.5	85	175				
0-KUM-F0300	24x72	4.4	5.8	100	225				
0-KUM-F0500	30x72	6.8	9	125	475				
0-KUM-F0750	36x72	10	13	175	650				

Stock Code	Tank	Filtration Speed		Media Material			F111B1 (2")	CLACK WS2 QC (2")	FLOTROL 60 (2")
		15 m/h	20 m/h	Anthracite (lt)	Quartz (kg)				
0-KUM-F0500	30x72	6.8	9	125	475				
0-KUM-F0750	36x72	10	13	175	650				
0-KUM-F0900	42x72	13.4	18	210	775				



SURFACE PIPELINED SYSTEMS

SAND FILTER SYSTEMS WITH FRP TANK

Stock Code	Model	Tank Dimensions mm. Diameter x H	Connection Diameter Dn-FIns-Srv-Dre	Service Flow		Media Material		
				20 m/s	30 m/s	Anthracite (lt)	Quartz (kg)	
0-KUM-YFP-500	Hydro Filter 3072	765 x 2150	50-50	9	14	125	475	
0-KUM-YFP-750	Hydro Filter 3672	918 x 2260	50-50	13	20	175	650	
0-KUM-YFP-1000	Hydro Filter 4272	1088 x 2400	65-65	18	27	210	775	
0-KUM-YFP-1200	Hydro Filter 4872	1218 x 2400	65-65	23	35	315	1125	
0-KUM-YFP-1600	Hydro Filter 6386	1620 x 2400	80-80	40	60	560	2025	

*With HFT brand FRP tank

*Time-controlled backwash

*Electric actuator cast butterfly valves

(There is no Price Difference for the pneumatic electric actuator option)

*Lower collecting structure Lateral Diffuser

*PVC-U material surface piping (on epoxy painted chassis)

*Maximum working pressure 6 bar

*Sample taps and manometers at system inlets and outlets

*Electric 240 V/50 Hz / 1 ph

*In case the valves are Pneumatic, the air supply belongs to the customer.

*Recommended compressor capacity is minimum 100 lt/min @ 8 bar

EPOXY PAINTED ST-37 SAND FILTER SYSTEMS WITH TANK

Stock Code	Model	Tank Dimensions mm. Diameter x H	Connection Diameter Dn-FIns-Srv-Dre	Service Flow		Media Material			
				20 m/s	30 m/s	Anthracite (lt)	Quartz (kg)		
0-KUM-YF-1215	Hydro Filter 1200	1200 x 2790	65-65	25	37	350	1375		
0-KUM-YF-1615	Hydro Filter 1600	1600 x 3020	80-80	40	60	595	2375		
0-KUM-YF-2015	Hydro Filter 2000	2000 x 3250	100-100	63	94	805	3150		
0-KUM-YF-2415	Hydro Filter 2400	2400 x 3400	125-125	91	136	1150	4525		

* Epoxy painted carbon steel tank

*Time-controlled backwash

*Electric actuator cast butterfly valves

(There is no Price Difference for the pneumatic electric actuator option)

*YF-1200 - YF-1600 Lower collecting structure Lateral Diffuser

*PVC-U material surface piping (Optional galvanized surface piping option)

** Epoxy painted carbon steel tank

*Time-controlled backwash

*Electric actuator cast butterfly valves

(There is no Price Difference for the pneumatic electric actuator option)

*YF-2000 - YF-2400 Lower collecting structure Diffuser

*PVC-U material surface piping (Galvanized surface piping option)





GLASS FILTER SYSTEMS

Stock Code	Tank	Filtration Speed		Media Material	F71P1 (¾")	F71B1 (¾")	CLACK WS1 (1")	BNT FILTER (1")
		15 m/h	20 m/h	Glass (kg)				
0-CAM-G0010	8x17	0.5	0.65	8				
0-CAM-G0020	8x35	0.5	0.65	20				
0-CAM-G0030	10x35	0.75	1	32				
0-CAM-G0050	10x54	0.75	1	50				

Stock Code	Tank	Filtration Speed		Media Material	F67P1 (1")	F67B1 (1")	CLACK WS1 (1")	
		15 m/h	20 m/h	Glass (kg)				
0-CAM-G0060	12x52	1	1.5	58				
0-CAM-G0075	13x54	1.3	1.7	77				
0-CAM-G0100	14x65	1.5	2	102				
0-CAM-G0150	16x65	2	2.6	146				
0-CAM-G0200	18x65	2.5	3.3	190				
0-CAM-G0250	21x62	3.3	4.5	252				

Stock Code	Tank	Filtration Speed		Media Material			CLACK WS125 (1 ¼")	FLOTROL 30 (1")
		15 m/h	20 m/h	Glass (kg)				
0-CAM-G0075	13x54	1.3	1.7	77				
0-CAM-G0100	14x65	1.5	2	102				
0-CAM-G0150	16x65	2	2.6	146				
0-CAM-G0200	18x65	2.5	3.3	190				
0-CAM-G0250	21x62	3.3	4.5	252				

Stock Code	Tank	Filtration Speed		Media Material	F134A1 (1 ½")	N75A1 (2")	CLACK WS15 (1 ½")	FLOTROL 40 (1 ½")
		15 m/h	20 m/h	Glass (kg)				
0-CAM-G0100	14x65	1.5	2	102				
0-CAM-G0150	16x65	2	2.6	146				
0-CAM-G0200	18x65	2.5	3.3	190				
0-CAM-G0250	21x62	3.3	4.5	252				
0-CAM-G0300	24x72	4.4	5.8	313				
0-CAM-G0500	30x72	6.8	9	552				

Stock Code	Tank	Filtration Speed		Media Material	F99B1 (2")	N77B1 (2")	CLACK WS2 (2")	FLOTROL 50 (2")
		15 m/h	20 m/h	Glass (kg)				
0-CAM-G0250	21x62	2.2	4.4	252				
0-CAM-G0300	24x72	4.4	5.8	313				
0-CAM-G0500	30x72	6.8	9	552				
0-CAM-G0750	36x72	10	13	760				

Stock Code	Tank	Filtration Speed		Media Material		F111B1 (2")	CLACK WS2 QC (2")	FLOTROL 60 (2")
		15 m/h	20 m/h	Glass (kg)				
0-CAM-G0500	30x72	6.8	9	552				
0-CAM-G0750	36x72	10	13	760				
0-CAM-G0900	42x72	13.4	18	908				



SURFACE PIPELINED SYSTEMS

SAND FILTER SYSTEMS WITH FRP TANK

Stock Code	Model	Tank Dimensions mm. Diameter x H	Connection Diameter Dn-FIns-Srv-Dre	Service Flow		Media Material
				20 m/s	30 m/s	Glass (kg)
0-CAM-YGP-500	Hydro Filter 3072	765 x 2150	50-50	9	14	552
0-CAM-YGP-750	Hydro Filter 3672	918 x 2260	50-50	13	20	760
0-CAM-YGP-1000	Hydro Filter 4272	1088 x 2400	65-65	18	27	908
0-CAM-YGP-1200	Hydro Filter 4872	1218 x 2400	65-65	23	35	1330
0-CAM-YGP-1600	Hydro Filter 6386	1620 x 2400	80-80	40	60	2400

*With HFT brand FRP tank

*Time-controlled backwash

*Electric actuator cast butterfly valves

(There is no Price Difference for the pneumatic electric actuator option)

*Lower collection structure a Lateral Diffuser

*PVC-U material surface piping (on epoxy painted chassis)

*Maximum working pressure 6 bar

*Sample taps and manometers at system inlets and outlets

*Electric 220 V/50 Hz / 1 ph

*In case the valves are Pneumatic, the air supply belongs to the customer.

*Recommended compressor capacity is minimum 100 lt/min @ 8 bar.

EPOXY PAINTED ST-37 TANK GLASS FILTER SYSTEMS

Stock Code	Model	Tank Dimensions mm. Diameter x H	Connection Diameter Dn-FIns-Srv-Dre	Service Flow		Media Material
				20 m/s	30 m/s	Glass (kg)
0-CAM-YG-1215	Hydro Filter 1200	1200 x 2790	65-65	25	37	1600
0-CAM-YG-1615	Hydro Filter 1600	1600 x 3020	80-80	40	60	2750
0-CAM-YG-2015	Hydro Filter 2000	2000 x 3250	100-100	63	94	3650
0-CAM-YG-2415	Hydro Filter 2400	2400 x 3400	125-125	91	136	5225

* Epoxy painted carbon steel tank

*Time-controlled backwash

*Electric actuator cast butterfly valves

(There is no Price Difference for the pneumatic electric actuator option)

*YG-1200 - YG-1600 Lower collecting structure Lateral Diffuser

*PVC-U material surface piping (Optional galvanized surface piping option)

*Maximum working pressure 6 bar

*Sample taps and manometers at system inlets and outlets

*Electric 240 V - 220 V

*In case the valves are Pneumatic, the air supply belongs to the customer.

*Collection structure of YG-2000 to YG-2400 nozzle on plate

*Recommended compressor capacity is minimum 100 lt/min @ 8 bar.

GLASS MEDIA STANDARD FEATURES



0.80 mm - 1.20 mm



1.20 mm - 3.20 mm



3.20 mm - 5.00 mm

It replaces the traditional sand media applied in all filters.

It is produced from a certain type of 100% recycled glass to achieve optimum particle Dimension and shape.

Its slippery surface attracts small particles 300 times more than sand thanks to its electrostatic negative charge (zeta potential).

In addition, the glass mineral has a permanent redox potential metal oxide catalysts that are self-sterilizing.

In this way, it helps to separate metal oxides and other target elements from water 4 times more than sand.

It has a longer life than sand because it does not contain bacteria and organic waste on its surface.

MAJOR BENEFITS COMPARED TO OTHER SANDS

* Since it is lighter than sand, you can fill your filters with 20% savings.

* Service life as it has higher abrasion resistance than sands

It is 4 times more.

* It saves from other chemicals with its treatment performance.

* Lower chlorine consumption and disinfection by-products compared to sands.

* It does not cause calcification, agglomeration and petrification. In this way, channel formation and prevents biological contamination

* Sandlar keeps bacteria and algae over time. Bacteria and algae cannot adhere to glass sand.

* It saves a significant amount of water and energy in backwashing.

* Makes water up to 30% clearer

* Filtration down to a few microns at 100% efficiency without filtration aids it does.

* Suitable for drinking water treatment, sewage and waste water treatment.



CARBON FILTER SYSTEMS

Stock Code	Tank	Filtration Speed		Media Material		F71P1 (¾")	F71B1 (¾")	CLACK WS1 (1")	BNT FILTER (1")
		15 m/h	20 m/h	Carbon (kg)	Quartz (kg)				
0-KAR-C0010	8x17	0.5	0.65	4	-				
0-KAR-C0020	8x35	0.5	0.65	9	-				
0-KAR-C0030	10x35	0.75	1	15	-				
0-KAR-C0050	10x54	0.75	1	25	-				

Stock Code	Tank	Filtration Speed		Media Material		F67P1 (1")	F67B1 (1")	CLACK WS1 (1")	
		15 m/h	20 m/h	Carbon (kg)	Quartz (kg)				
0-KAR-C0060	12x52	1	1.5	30	10				
0-KAR-C0075	13x54	1.3	1.7	35	15				
0-KAR-C0100	14x65	1.5	2	45	15				
0-KAR-C0150	16x65	2	2.6	65	20				
0-KAR-C0200	18x65	1.5	2	80	25				
0-KAR-C0250	21x62	2	2.6	100	50				

Stock Code	Tank	Filtration Speed		Media Material				CLACK WS125 (1 ¼")	FLOTROL 30 (1")
		15 m/h	20 m/h	Carbon (kg)	Quartz (kg)				
0-KAR-C0075	13x54	1.3	1.7	35	15				
0-KAR-C0100	14x65	1.5	2	45	15				
0-KAR-C0150	16x65	2	2.6	65	20				
0-KAR-C0200	18x65	2.5	3.3	80	25				
0-KAR-C0250	21x62	3.3	4.5	100	50				

Stock Code	Tank	Filtration Speed		Media Material		F134A1 (1 ½")	N75A1 (2")	CLACK WS15 (1 ½")	FLOTROL 40 (1 ½")
		15 m/h	20 m/h	Carbon (kg)	Quartz (kg)				
0-KAR-C0100	14x65	1.5	2	45	15				
0-KAR-C0150	16x65	2	2.6	65	50				
0-KAR-C0200	18x65	2.5	3.3	80	50				
0-KAR-C0250	21x62	3.3	4.5	100	75				
0-KAR-C0300	24x72	4.4	5.8	125	100				
0-KAR-C0500	30x72	6.8	9	150	225				

Stock Code	Tank	Filtration Speed		Media Material		F99B1 (2")	N77B1 (2")	CLACK WS2 (2")	FLOTROL 50 (2")
		15 m/h	20 m/h	Carbon (kg)	Quartz (kg)				
0-KAR-C0250	21x62	3.3	4.5	100	75				
0-KAR-C0300	24x72	4.4	5.8	125	100				
0-KAR-C0500	30x72	6.8	9	150	225				
0-KAR-C0750	36x72	10	13	225	325				

Stock Code	Tank	Filtration Speed		Media Material			F111B1 (2")	CLACK WS2 QC (2")	FLOTROL 60 (2")
		15 m/h	20 m/h	Carbon (kg)	Quartz (kg)				
0-KAR-C0500	30x72	6.5	9	150	225				
0-KAR-C0750	36x72	10	13	225	325				
0-KAR-C0900	42x72	13.4	18	275	400				



SURFACE PIPELINED SYSTEMS

ACTIVE CARBON FILTER SYSTEMS WITH FRP TANK

Stock Code	Model	Tank Dimensions mm. Diameter x H	Connection Diameter Dn-FIns-Srv-Dre	Service Flow		Media Material		
				20 m/s	30 m/s	Carbon (kg)	Quartz (kg)	
0-KAR-YCP-500	Hydro Filter 3072	765 x 2150	50-50	9	14	150	225	
0-KAR-YCP-750	Hydro Filter 3672	918 x 2260	50-50	13	20	225	325	
0-KAR-YCP-1000	Hydro Filter 4272	1088 x 2400	65-65	18	27	275	400	
0-KAR-YCP-1200	Hydro Filter 4872	1218 x 2400	65-65	23	35	400	550	
0-KAR-YCP-1600	Hydro Filter 6386	1620 x 2400	80-80	40	60	700	1000	

*With HFT brand FRP tank

*Time-controlled backwash

*Electric actuator cast butterfly valves

(There is no Price Difference for the pneumatic electric actuator option)

*Lower collecting structure Lateral Diffuser

*PVC-U material surface piping (on epoxy painted chassis)

*Maximum working pressure 6 bar

*Sample taps and manometers at system inlets and outlets

*Electric 220 V/50 Hz / 1 ph

*In case the valves are Pneumatic, the air supply belongs to the customer.

*Recommended compressor capacity is minimum 100 lt/min @ 8 bar.

EPOXY PAINTED ST-37 TANK ACTIVE CARBON FILTER SYSTEMS

Stock Code	Model	Tank Dimensions mm. Diameter x H	Connection Diameter Dn-FIns-Srv-Dre	Service Flow		Media Material			
				20 m/s	30 m/s	Carbon (kg)	Quartz (kg)		
0-KAR-YC-1215	Hydro Filter 1200	1200 x 2790	65-65	25	37	475	600		
0-KAR-YC-1615	Hydro Filter 1600	1600 x 3020	80-80	40	60	850	1150		
0-KAR-YC-2015	Hydro Filter 2000	2000 x 3250	100-100	63	94	1325	500		
0-KAR-YC-2415	Hydro Filter 2400	2400 x 3400	125-125	91	136	1900	725		

* Epoxy painted carbon steel tank

*Time-controlled backwash

*Electric actuator cast butterfly valves

(There is no Price Difference for the pneumatic electric actuator option)

*YF-1200 - YF-1600 Lower collecting structure Lateral Diffuser

*PVC-U material surface piping (Optional galvanized surface piping option)

*Maximum working pressure 6 bar

*Sample taps and manometers at system inlets and outlets

*Electric 240 V - 220 V

*In case the valves are Pneumatic, the air supply belongs to the customer.

*Collection structure of YF-2000 to YF-2400 nozzle on plate

*Recommended compressor capacity is minimum 100 lt/min @ 8 bar.





AS-FE-MN FILTER SYSTEMS

Stock Code	Tank	Filtration Speed	Media Material		F71P1 (¾")	F71B1 (¾")	CLACK WS1 (1")	BNT FILTER (1")
		10 m/h	Grensand (kg)	Quartz (kg)				
0-DEM-I0010	8x17	0.32	8	-				
0-DEM-I0020	8x35	0.32	18	-				
0-DEM-I0030	10x35	0.52	30	-				
0-DEM-I0050	10x54	0.52	50	-				

Stock Code	Tank	Filtration Speed	Media Material		F67P1 (1")	F67B1 (1")	CLACK WS1 (1")	
		10 m/h	Grensand (kg)	Quartz (kg)				
0-DEM-I0060	12x52	0.73	60	10				
0-DEM-I0075	13x54	0.87	70	15				
0-DEM-I0100	14x65	1	90	15				
0-DEM-I0150	16x65	1.3	130	20				
0-DEM-I0200	18x65	1.65	160	25				
0-DEM-I0250	21x62	2.25	200	50				

Stock Code	Tank	Filtration Speed	Media Material				CLACK WS125 (1 ¼")	FLOTROL 30 (1")
		10 m/h	Grensand (kg)	Quartz (kg)				
0-DEM-I0075	13x54	0.87	70	15				
0-DEM-I0100	14x65	1	90	15				
0-DEM-I0150	16x65	1.3	130	20				
0-DEM-I0200	18x65	1.65	160	25				
0-DEM-I0250	21x62	2.25	200	50				

Stock Code	Tank	Filtration Speed	Media Material		F134A1 (1 ½")	N75A1 (2")	CLACK WS15 (1 ½")	FLOTROL 40 (1 ½")
		10 m/h	Grensand (kg)	Quartz (kg)				
0-DEM-I0100	14x65	1	90	15				
0-DEM-I0150	16x65	1.3	130	20				
0-DEM-I0200	18x65	1.65	160	25				
0-DEM-I0250	21x62	2.25	200	50				
0-DEM-I0300	24x72	3	250	100				
0-DEM-I0500	30x72	4.6	340	150				

Stock Code	Tank	Filtration Speed	Media Material		F99B1 (2")	N77B1 (2")	CLACK WS2 (2")	FLOTROL 50 (2")
		10 m/h	Grensand (kg)	Quartz (kg)				
0-DEM-I0250	21x62	2.25	200	50				
0-DEM-I0300	24x72	3	250	100				
0-DEM-I0500	30x72	4.6	340	150				
0-DEM-I0750	36x72	6.6	510	250				

Stock Code	Tank	Filtration Speed	Media Material			F111B1 (2")	CLACK WS2 QC (2")	FLOTROL 60 (2")
		10 m/h	Grensand (kg)	Quartz (kg)				
0-DEM-I0500	30x72	4.6	340	150				
0-DEM-I0750	36x72	6.60	510	250				
0-DEM-I0900	42x72	9	680	300				
0-DEM-I1200	48x72	11.7	878	500				



SURFACE PIPELINED SYSTEMS

FRP TANK AS-FE-MN / BIRM FILTER SYSTEMS

Stock Code	Model	Tank Dimensions mm. Diameter x H	Connection Diameter Dn-Flns-Srv-Dre	Service Flow	Media Material		
				10 m/s	Grensand (kg)	Quartz (kg)	
0-DEM-YIP-500	Hydro Filter 3072	765 x 2150	50-50	4.6	340	150	
0-DEM-YIP-750	Hydro Filter 3672	918 x 2260	50-50	6.75	510	250	
0-DEM-YIP-1000	Hydro Filter 4272	1088 x 2400	65-65	5.06	680	300	
0-DEM-YIP-1200	Hydro Filter 4872	1218 x 2400	65-65	11.8	878	500	
0-DEM-YIP-1600	Hydro Filter 6386	1620 x 2400	80-80	20	1528	800	

*With HFT brand FRP tank

*Time-controlled backwash

*Electric actuator cast butterfly valves

(There is no Price Difference for the pneumatic electric actuator option)

*Lower collecting structure Lateral Diffuser

*PVC-U material surface piping (on epoxy painted chassis)

*With HFT brand FRP tank

*Time-controlled backwash

*Electric actuator cast butterfly valves

(There is no Price Difference for the pneumatic electric actuator option)

*Lower collecting structure Lateral Diffuser

*PVC-U material surface piping (on epoxy painted chassis)

EPOXY PAINTED ST-37 TANK AS-FE-MN / BIRM FILTER SYSTEMS

Stock Code	Model	Tank Dimensions mm. Diameter x H	Connection Diameter Dn-Flns-Srv-Dre	Service Flow	Media Material			
				10 m/s	Grensand (kg)	Quartz (kg)		
0-DEM-YI-1215	Hydro Filter 1200	1200 x 2790	65-65	18	934	500		
0-DEM-YI-1615	Hydro Filter 1600	1600 x 3020	80-80	20	1528	800		
0-DEM-YI-2015	Hydro Filter 2000	2000 x 3250	100-100	32	2405	500		
0-DEM-YI-2415	Hydro Filter 2400	2400 x 3400	125-125	45	3425	700		

* Epoxy painted carbon steel tank

*Time-controlled backwash

*Electric actuator cast butterfly valves

(There is no Price Difference for the pneumatic electric actuator option)

*YF-1200 - YF-1600 Lower collecting structure Lateral Diffuser

*PVC-U material surface piping (Optional galvanized surface piping option)

*Maximum working pressure 6 bar

*Sample taps and manometers at system inlets and outlets

*Electric 240 V - 220 V

*In case the valves are Pneumatic, the air supply belongs to the customer.

*Collection structure of YF-2000 to YF-2400 nozzle on plate

*Recommended compressor capacity is minimum 100 lt/min @ 8 bar.





SOFTENER SYSTEMS WITH TIME CONTROL

Stock Code	Tank	Filtration Speed		m³ x Fr	Media Material		F65P3 (¾")	F69A3 (¾")	CLACK WS1 (1")	BNT TIMER
		30 m/h	40 m/h		Resin (lt)	Quartz (kg)				
0-YUM-TC0010	8x17	1	1.3	40	8	-				
0-YUM-TC0020	8x35	1	1.3	100	20	-				
0-YUM-TC0030	10x35	1.5	2	150	30	-				

Stock Code	Tank	Filtration Speed		m³ x Fr	Media Material		F65P3 (¾")	F69A3 (¾")	CLACK WS1 (1")	BNT TIMER
		30 m/h	40 m/h		Resin (lt)	Quartz (kg)				
0-YUM-T0010	8x17	1	1.3	40	8	-				
0-YUM-T0020	8x35	1	1.3	100	20	-				
0-YUM-T0030	10x35	1.5	2	150	30	-				
0-YUM-T0050	10x54	1.5	2	250	50	-				

Stock Code	Tank	Filtration Speed		m³ x Fr	Media Material		F63P3 (1")	F63B3 (1")	CLACK WS1 (1")	BNT TIMER
		30 m/h	40 m/h		Resin (lt)	Quartz (kg)				
0-YUM-T0060	12x52	2.2	2.9	300	60	-				
0-YUM-T0075	13x54	2.6	3.4	375	75	10				
0-YUM-T0100	14x65	3	4	500	100	10				
0-YUM-T0150	16x65	3.9	*4 - 5.2	750	150	15				
0-YUM-T0200	18x65	5	6	1000	200	20				
0-YUM-T0250	21x62	6	6	1250	250	25				

* Runxin F63 models max. It passes 4 m³/h water.

Stock Code	Tank	Filtration Speed		m³ x Fr	Media Material		CLACK WS125 (1 ¼")	FLOTROL 30 (1")
		30 m/h	40 m/h		Resin (lt)	Quartz (kg)		
0-YUM-T0075	13x54	2.6	3.4	375	75	10		
0-YUM-T0100	14x65	3	4	500	100	10		
0-YUM-T0150	16x65	3.9	5.2	750	150	15		
0-YUM-T0200	18x65	5	6.3	1000	200	20		
0-YUM-T0250	21x62	6.6	7.7	1250	250	25		

Stock Code	Tank	Filtration Speed		m³ x Fr	Media Material		F133A3 (1 ½")	N74A3 (2")	CLACK WS15 (1 ½")	FLOTROL 40 (1 ½")
		30 m/h	40 m/h		Resin (lt)	Quartz (kg)				
0-YUM-T0100	14x65	3	4	500	100	10				
0-YUM-T0150	16x65	3.9	5.2	750	150	15				
0-YUM-T0200	18x65	5	6.5	1000	200	20				
0-YUM-T0250	21x62	6.7	9	1250	250	25				
0-YUM-T0300	24x72	8.8	*10-11.6	1500	300	30				
0-YUM-T0500	30x72	*10-13.7	15	2500	500	50				

* Flotrol F40 and Runxin N74 models max. It passes 10 m³/h water.

* m³ x Fr - Calculation was made according to the minimum number of resin layers.



SOFTENER SYSTEMS WITH TIME CONTROL

Stock Code	Tank	Filtration Speed		m ³ x Fr	Media Material		F99A3 (2")	N77A3 (2")	CLACK WS2 (2")	FLOTROL 50 (2")
		30 m/h	40 m/h		Resin (lt)	Quartz (kg)				
0-YUM-T0300	24x72	8.8	11.6	1500	300	30				
0-YUM-T0500	30x72	13.7	18	2500	500	50				
0-YUM-T0750	36x72	20	26	3750	750	75				
0-YUM-T0900	42x72	26	26	4500	900	125				

Stock Code	Tank	Filtration Speed		m ³ x Fr	Media Material		F111A3 (2")	CLACK WS2 QC (2")	FLOTROL 60 (2")
		30 m/h	40 m/h		Resin (lt)	Quartz (kg)			
0-YUM-T0500	30x72	13.7	18	2500	500	50			
0-YUM-T0750	36x72	20	26	3750	750	75			
0-YUM-T0900	42x72	26	30	4500	900	125			
0-YUM-T1200	48x72	30	30	6000	1200	175			

* m³ x Fr - Calculation was made according to the minimum number of resin layers.



FLOW CONTROLLED SOFTENER SYSTEMS

Stock Code	Tank	Filtration Speed		m³ x Fr	Media Material		F65P3 (¾")	F69A3 (¾")	CLACK WS1 (1")	BNT VOL. DIGITAL
		30 m/h	40 m/h		Resin (lt)	Quartz (kg)				
0-YUM-VC0010	8x17	1	1.3	80	8	-				
0-YUM-VC0020	8x35	1	1.3	200	20	-				
0-YUM-VC0030	10x35	1.5	2	300	30	-				

Stock Code	Tank	Filtration Speed		m³ x Fr	Media Material		F65P3 (¾")	F69A3 (¾")	CLACK WS1 (1")	BNT VOL. DIGITAL
		30 m/h	40 m/h		Resin (lt)	Quartz (kg)				
0-YUM-V0010	8x17	1	1.3	80	8	-				
0-YUM-V0020	8x35	1	1.3	200	20	-				
0-YUM-V0030	10x35	1.5	2	300	30	-				
0-YUM-V0050	10x54	1.5	2	500	50	-				

Stock Code	Tank	Filtration Speed		m³ x Fr	Media Material		F63P3 (1")	F63B3 (1")	CLACK WS1 (1")	
		30 m/h	40 m/h		Resin (lt)	Quartz (kg)				
0-YUM-V0060	12x52	2.2	2.9	600	60					
0-YUM-V0075	13x54	2.6	3.4	750	75	10				
0-YUM-V0100	14x65	3	4	1000	100	10				
0-YUM-V0150	16x65	3.9	*4 - 5.2	1500	150	15				
0-YUM-V0200	18x65	5	6	2000	200	20				
0-YUM-V0250	21x62	6	6	2500	250	25				

* Runxin F63 models max. It passes 4 m³/h water.

Stock Code	Tank	Filtration Speed		m³ x Fr	Media Material				CLACK WS125 (1 ¼")	FLOTROL 30 (1")
		30 m/h	40 m/h		Resin (lt)	Quartz (kg)				
0-YUM-V0075	13x54	2.6	3.4	750	75	10				
0-YUM-V0100	14x65	3	4	1000	100	10				
0-YUM-V0150	16x65	3.9	5.2	1500	150	15				
0-YUM-V0200	18x65	5	6.3	2000	200	20				
0-YUM-V0250	21x62	6.6	7.7	2500	250	25				

Stock Code	Tank	Filtration Speed		m³ x Fr	Media Material		F133A3 (1 ½")	N74A3 (2")	CLACK WS15 (1 ½")	FLOTROL 40 (1 ½")
		30 m/h	40 m/h		Resin (lt)	Quartz (kg)				
0-YUM-V0100	14x65	3	4	1000	100	10				
0-YUM-V0150	16x65	3.9	5.2	1500	150	15				
0-YUM-V0200	18x65	5	6.5	2000	200	20				
0-YUM-V0250	21x62	6.7	9	2500	250	25				
0-YUM-V0300	24x72	8.8	*10-11.6	3000	300	30				
0-YUM-V0500	30x72	*10-13.7	15	5000	500	50				

* Flotrol F40 and Runxin N74 models max. It passes 10 m³/h water.

Stock Code	Tank	Filtration Speed		m³ x Fr	Media Material		F99A3 (2")	N77A3 (2")	CLACK WS2 (2")	FLOTROL 50 (2")
		30 m/h	40 m/h		Resin (lt)	Quartz (kg)				
0-YUM-V0300	24x72	8.8	11.6	3000	300	30				
0-YUM-V0500	30x72	13.7	18	5000	500	50				
0-YUM-V0750	36x72	20	26	7500	750	75				
0-YUM-V0900	42x72	26	26	9000	900	100				

* m³ x Fr - Calculation was made according to the minimum number of resin layers.



FLOW CONTROLLED SOFTENER SYSTEMS

Stock Code	Tank	Filtration Speed		m³ x Fr	Media Material		RUNXIN F111 (2")	CLACK WS2 QC (2")	FLOTROL 60 (2")
		30 m/h	40 m/h		Resin (lt)	Quartz (kg)			
0-YUM-V0500	30x72	13.7	18	5000	500	50			
0-YUM-V0750	36x72	20	26	7500	750	75			
0-YUM-V0900	42x72	26	30	9000	900	125			
0-YUM-V1200	48x72	30	35	12000	1200	175			

* m³ x Fr - Calculation was made according to the minimum number of resin layers.

SURFACE PIPELINED SYSTEMS

FRP TANK FLOW CONTROLLED SOFTENER SYSTEMS

Stock Code	Model	Tank Dimensions mm. Diameter x H	Connection Diameter Dn-Flns-Srv-Dre	Service Flow 40 m/s	m³ x Fr	Media Material		
						Resin (kg)	Quartz (kg)	
0-YUM-YVP-500	Hydro Filter 3072	765 x 2150	50-50-25	20	5000	500	125	
0-YUM-YVP-750	Hydro Filter 3672	918 x 2260	65-50-25	27	7500	750	200	
0-YUM-YVP-1000	Hydro Filter 4272	1088 x 2400	65-50-25	32	9000	900	225	
0-YUM-YVP-1200	Hydro Filter 4872	1218 x 2400	80-50-40	46	12000	1200	350	
0-YUM-YVP-1600	Hydro Filter 6386	1620 x 2400	80-50-40	55	16000	1400	750	
0-YUM-YVP-1600L	Hydro Filter 6386 L	1620 x 2400	100-50-40	70	18000	1750	900	

*With HFT brand FRP tank

*Aqualite, HydroSafe brand cationic Resin

*Electric actuator cast butterfly valves

(There is no Price Difference for the pneumatic electric actuator option)

*Lower collecting structure Lateral Diffuser

*PVC-U material surface piping (on epoxy painted chassis)

*Maximum working pressure 6 bar

*Sample taps and manometers at system inlets and outlets

*150 g salt consumption is accepted for 1 liter of resin.

*Electric 220 V/50 Hz / 1 ph

*In case the valves are Pneumatic, the air supply belongs to the customer.

*Recommended compressor capacity is minimum 100 lt/min @ 8 bar.

EPOXY PAINTED ST-37 TANK FLOW CONTROLLED SOFTENER SYSTEMS

Stock Code	Model	Tank Dimensions mm. Diameter x H	Connection Diameter Dn-Flns-Srv-Dre	Service Flow 40 m/s	m³ x Fr	Media Material				
						Resin (kg)	Quartz (kg)			
0-YUM-YV-1215	Hydro Filter 1200	1200 x 2650	65-65	46	12500	1250	600			
0-YUM-YV-1615	Hydro Filter 1600	1600 x 2850	80-80	80	17500	1750	900			
0-YUM-YV-2015	Hydro Filter 2000	2000 x 3050	100-100	125	31500	3150	500			
0-YUM-YV-2415	Hydro Filter 2400	2400 x 3250	125-125	180	45000	4500	700			

Epoxy painted carbon steel tank

*The system is flow controlled.

*Electric actuator cast butterfly valves

(There is no Price Difference for the pneumatic electric actuator option)

*YD-1200 and YD-1600 sub-collection structure Lateral Diffuser

*YD-2000 and YD-2400 sub-collection structure nozzle on plate

*PVC-U material surface piping (Optional galvanized surface piping option)

*Maximum working pressure 6 bar

*Sample taps and manometers at system inlets and outlets

*150 g salt consumption is accepted for 1 liter of resin.

*Electric 220 V/50 Hz / 1 ph

*In case the valves are Pneumatic, the air supply belongs to the customer.

*Recommended compressor capacity is minimum 100 lt/min @ 8 bar.

* m³ x Fr - Calculation was made according to the minimum number of resin layers.



TANDEM SOFTENER SYSTEMS

Stock Code	Tank	Filtration Speed	m³ x Fr	Media Material		RUNXIN F73 DUBLEX (1")	CLACK WS1 DUBLEX (1")
		40 m/h		Resin (lt)	Quartz (kg)		
0-YUM-D0010	8x17	1.3	200	8 x 2	-		
0-YUM-D0020	8x35	1.3	400	20 x 2	-		
0-YUM-D0030	10x35	2	600	30 x 2	-		
0-YUM-D0050	10x54	2	1000	50 x 2	-		
0-YUM-D0060	12x52	2.9	1200	60 x 2	-		
0-YUM-D0075	13x54	3.4	1500	75 x 2	10 x 2		
0-YUM-D0100	14x65	4	2000	100 x 2	10 x 2		
0-YUM-D0150	16x65	5.2	3000	150 x 2	15 x 2		
0-YUM-D0200	18x65	6	4000	200 x 2	20 x 2		
0-YUM-D0250	21x62	6.3	5000	250 x 2	25 x 2		

Stock Code	Tank	Filtration Speed	m³ x Fr	Media Material		CLACK WS125 DUBLEX (1 ¼")
		40 m/h		Resin (lt)	Quartz (kg)	
0-YUM-D0100	14x65	4	2000	100 x 2	10 x 2	
0-YUM-D0150	16x65	5.2	3000	150 x 2	15 x 2	
0-YUM-D0200	18x65	6.5	4000	200 x 2	20 x 2	
0-YUM-D0250	21x62	7.7	5000	250 x 2	25 x 2	

Stock Code	Tank	Filtration Speed	m³ x Fr	Media Material		RUNXIN F135 DUBLEX (1 ½")	CLACK WS15 DUBLEX (1 ½")
		40 m/h		Resin (lt)	Quartz (kg)		
0-YUM-D0100	14x65	4	2000	100 x 2	10 x 2		
0-YUM-D0150	16x65	5.2	3000	150 x 2	15 x 2		
0-YUM-D0200	18x65	6.5	4000	200 x 2	20 x 2		
0-YUM-D0250	21x62	9	5000	250 x 2	25 x 2		
0-YUM-D0300	24x72	11.6	6000	300 x 2	30 x 2		
0-YUM-D0500	30x72	15	10000	500 x 2	50 x 2		

Stock Code	Tank	Filtration Speed	m³ x Fr	Media Material		CLACK WS2 DUBLEX (2")
		40 m/h		Resin (lt)	Quartz (kg)	
0-YUM-D0300	24x72	11.6	6000	300 x 2	30 x 2	
0-YUM-D0500	30x72	18	10000	500 x 2	50 x 2	
0-YUM-D0750	36x72	25	15000	750 x 2	75 x 2	
0-YUM-D0900	42x72	25	18000	900 x 2	100 x 2	

Stock Code	Tank	Filtration Speed	m³ x Fr	Media Material		CLACK WS2 QC DUBLEX (2")
		40 m/h		Resin (lt)	Quartz (kg)	
0-YUM-D0500	30x72	20	10000	500 x 2	50 x 2	
0-YUM-D0750	36x72	26	15000	750 x 2	75 x 2	
0-YUM-D0900	42x72	30	18000	900 x 2	100 x 2	
0-YUM-D1200	48x72	30	24000	1200 x 2	175 x 2	

* m³ x Fr - Calculation was made according to the minimum number of resin layers.



SURFACE PIPELINED SYSTEMS

TANDEM SOFTENER SYSTEMS WITH FRP TANK

Stock Code	Model	Tank Dimensions mm. Diameter x H	Connection Diameter Dn-Flns-Srv-Dre	Service Flow 40 m/s	Brine Tkt. (kg)	m³ x Fr	Media Material	
							Resin (kg)	Quartz (kg)
0-YUM-YDP-500	Hydro Filter 3072	765 x 2150	50-50-25	20	75	10000	500x2	125x2
0-YUM-YDP-750	Hydro Filter 3672	918 x 2260	65-50-25	30	113	15000	750x2	200x2
0-YUM-YDP-1000	Hydro Filter 4272	1088 x 2400	65-50-25	36	135	18000	900x2	225x2
0-YUM-YDP-1200	Hydro Filter 4872	1218 x 2400	80-50-40	48	180	24000	1200x2	350x2
0-YUM-YDP-1600	Hydro Filter 6386	1620 x 2400	80-50-40	55	270	28000	1400x2	750x2
0-YUM-YDP-1600L	Hydro Filter 6386 L	1620 x 2400	100-50-40	70	270	35000	1750x2	900x2

* m³ x Fr - Calculated based on minimum resin coats

With HFT brand FRP tank

*Aqualite, HydroSafe brand cationic Resin

*Electric actuator cast butterfly valves

(There is no Price Difference for the pneumatic electric actuator option)

*Lower collecting structure Lateral Diffuser

*PVC-U material surface piping (on epoxy painted chassis)

*Maximum working pressure 6 bar

*Sample taps and manometers at system inlets and outlets

*150 g salt consumption is accepted for 1 liter of resin.

*Electric 220 V/50 Hz / 1 ph

*In case the valves are Pneumatic, the air supply belongs to the customer.

*Recommended compressor capacity is minimum 100 lt/min @ 8 bar

EPOXY PAINTED ST-37 TANK TANDEM SOFTENER SYSTEMS

Stock Code	Model	Tank Dimensions mm. Diameter x H	Connection Diameter Dn-Flns-Srv-Dre	Service Flow 40 m/s	m³ x Fr	Media Material	
						Resin (kg)	Quartz (kg)
0-YUM-YD-1215	Hydro Filter 1200	1200 x 2650	80-50-40	46	25000	1250x2	600x2
0-YUM-YD-1615	Hydro Filter 1600	1600 x 2850	100-80-50	80	35000	1750x2	900x2
0-YUM-YD-2015	Hydro Filter 2000	2000 x 3050	125-80-50	125	63000	3150x2	500x2
0-YUM-YD-2415	Hydro Filter 2400	2400 x 3250	150-100-80	180	90000	4500x2	700x2

* m³ x Fr - Calculation was made according to the minimum number of resin layers.

* Epoxy painted carbon steel tank

*The system is flow controlled.

*Electric actuator cast butterfly valves

(There is no Price Difference for the pneumatic electric actuator option)

*YD-1200 and YD-1600 sub-collection structure Lateral Diffuser

*YD-2000 and YD-2400 sub-collection structure Nozzle on Plate

*PVC-U material surface piping (Optional galvanized surface piping option)

*Maximum working pressure 6 bar

*Sample taps and manometers at system inlets and outlets

*150 g salt consumption is accepted for 1 liter of resin.

*Electric 220 V/50 Hz / 1 ph

*In case the valves are Pneumatic, the air supply belongs to the customer.

*Recommended compressor capacity is minimum 100 lt/min @ 8 bar





REMINERALIZATION SYSTEMS

Stock Code	Model	Filtration Speed 25 m/h	Quartz (kg)	Dolomite (kg)	Tank Dimensions	
		System Flow m ³ /h				
0-REM-500 MV	HydroREM / 500 Manual Valve	11.5	150	650	30 x 72	
0-REM-500 YB	HydroREM / 500 Surface Piped	11.5	150	650	30 x 72	
0-REM-750 MV	HydroREM / 750 Manual Valve	16.5	250	975	36 x 72	
0-REM-750 YB	HydroREM / 750 Surface Piped	16.5	250	975	36 x 72	
0-REM-1000 MV	HydroREM / 1000 Manual Valve	18	300	1150	42 x 72	
0-REM-1000 YB	HydroREM / 1000 Surface Piped	22.5	300	1150	42 x 72	
0-REM-1200 YB	HydroREM / 1200 Surface Piped	29	500	1550	48 x 72	
0-REM-1600YB	HydroREM / 1600 Surface Piped	50	800	2450	63 x 86	

BIO WASTEWATER SYSTEMS

Stock Code	Model	Equivalent One	Flow m ³ /h	Diameter mm.	Length mm.	Curb Weight	
0-BiO-50	Hydro Bio-50	50	10	2000	2000	2500	
0-BiO-100	Hydro Bio-100	100	20	2000	3500	3000	
0-BiO-150	Hydro Bio-150	150	30	2000	5000	3000	
0-BiO-200	Hydro Bio-200	200	40	2300	5800	3000	
0-BiO-300	Hydro Bio-300	300	60	2300	8700	3000	
0-BiO-400	Hydro Bio-400	400	80	2300	11600	3000	
0-BiO-500	Hydro Bio-500	500	100	2300	12600	3000	
0-BiO-600	Hydro Bio-600	600	120	2300	13500	3000	
0-BiO-700	Hydro Bio-700	700	140	2300	13500	3000	
0-BiO-800	Hydro Bio-800	800	160	2300	13500	3000	
0-BiO-1000	Hydro Bio-1000	1000	200	2300	13500	3000	

TECHNICAL SPECIFICATIONS

It is designed as SRR (Sequential Batch Reactor).

It has been developed with the aim of treating domestic waste water.

System includes basket screen, submersible lift pump, blower pump, diffuser and submersible discharge pump

Aeration, settling and discharge are carried out in the same reactor.

It is made of ST-37 Epoxy painted steel sheet.

It works in smart relay (Compact PLC) control.

It is prismatic type

GRAY WATER HYDRO UF SERIES

Stock Code	Model	Number of Modules	Feed Flow	Product Flow	Backwash Pump	
			m ³ /h @2.5 bar	m ³ /h @2.5 bar	m ³ /h @3.5 bar	
0-GUF-6-1	Hydro GUF 6-1	1	0.28	0.25	-	
0-GUF-6-2	Hydro GUF 6-2	2	0.55	0.5	-	
0-GUF-6-2	Hydro GUF 6-3	3	0.83	0.75	-	



MOBILE WATER TREATMENT SYSTEMS

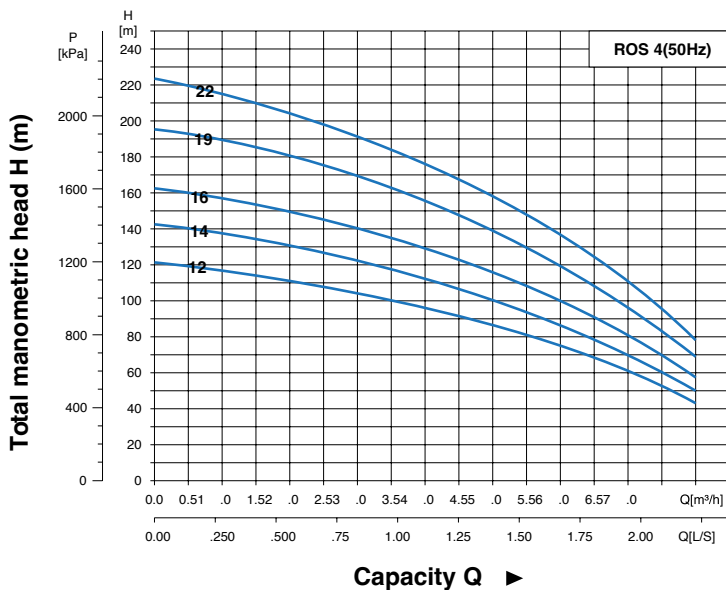
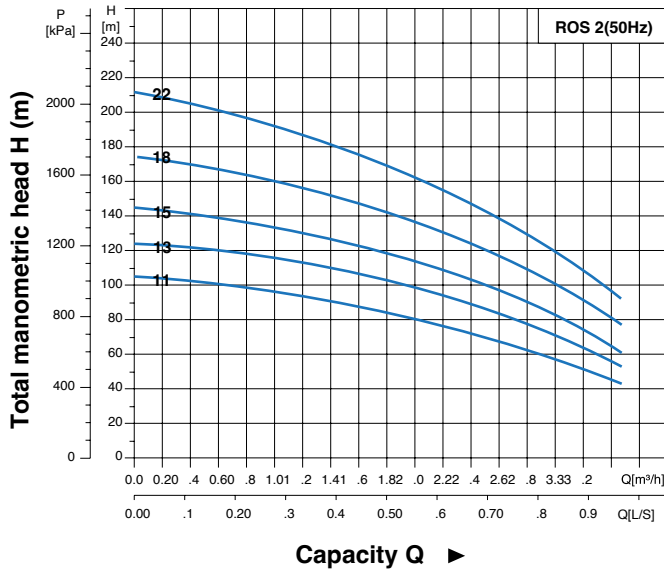


ROS 2 SERIES

Stock Code	Product Descriptions	Volt / Frequency	Material	Power (kW)	Q (m³/h)	Flow (m³/h)							
						1	1.2	1.6	2	2.5	2.8	3.2	3.5
7-P-ROS2-11	Ros Vertical Pump 2-11 1.5 Hp	380V / 50HZ	SS304	1.1	H(m)	98	95	89	82	71.5	64	54	44
7-P-ROS2-11 M	Ros Vertical Pump 2-11 1.5 Hp	220V / 50HZ	SS304	1.1	H(m)	98	114	89	82	71.5	64	54	44
7-P-ROS2-13	Ros Vertical Pump 2-13 2 Hp	380V / 50HZ	SS304	1.5	H(m)	116	114	106	98	86.5	78	65	52
7-P-ROS2-15	Ros Vertical Pump 2-15 2 Hp	380V / 50HZ	SS304	1.5	H(m)	134	130	123	112	98	90	73	60

ROS 4 SERIES

Stock Code	Product Descriptions	Volt / Frequency	Material	Power (kW)	Q (m³/h)	Flow (m³/h)							
						1.2	2	3	4	5	6	7	8
7-P-ROS4-12	Ros Vertical Pump 4-12 3 Hp	380V / 50HZ	SS304	2.2	H(m)	114	108	104	94	85	75	57	41
7-P-ROS4-14	Ros Vertical Pump 4-14 4 Hp	380V / 50HZ	SS304	3	H(m)	126	126	122	114	101	90	69	48
7-P-ROS4-16	Ros Vertical Pump 4-16 4 Hp	380V / 50HZ	SS304	3	H(m)	144	144	140	129	115	102	78	55





EVS 10 SERIES

Stock Code	Product Descriptions	Volt / Frequency	Metarial	Power (kW)	Q (m³/h)	Flow (m³/h)					
						2	4	6	8	10	12
7-P-EVS10-12	Evs Vertical Pump 10-12 5,5 Hp	380V / 50HZ	SS304	4.0	H(m)	122	122	119	110	95	79
7-P-EVS10-14	Evs Vertical Pump 10-14 7,5 Hp	380C / 50HZ	SS304	5.5	H(m)	143	144	140	130	113	94

EVS 15 SERIES

Stock Code	Product Descriptions	Volt / Frequency	Metarial	Power (kW)	Q (m³/h)	Flow (m³/h)						
						3	6	9	12	15	18	21
7-P-EVS15-10	Evs Vertical Pump 15-10 15 Hp	380V / 50HZ	SS304	11.0	H(m)	140	138	136	129	120	109	95

EVS 20 SERIES

Stock Code	Product Descriptions	Volt / Frequency	Metarial	Power (kW)	Q (m³/h)	Flow (m³/h)						
						4	8	12	16	20	24	28
7-P-EVS20-12	Evs Vertical Pump 20-12 20hp	380V / 50HZ	SS304	15.0	H(m)	175	174	169	161	144	127	101

EVS 32 SERIES

Stock Code	Product Descriptions	Volt / Frequency	Metarial	Power (kW)	Q (m³/h)	Flow (m³/h)					
						15	20	25	32	35	40
7-P-EVS32-8	Evs Vertical Pump 32-8 20hp	380V / 50HZ	SS304	15.0	H(m)	151	144	134	115	104	83

EVS 45 SERIES

Stock Code	Product Descriptions	Volt / Frequency	Metarial	Power (kW)	Q (m³/h)	Flow (m³/h)						
						25	30	35	40	45	50	55
7-P-EVS45-6	Evs Vertical Pump 45-6 30hp	380V / 50HZ	SS304	22	H(m)	149	144	138	130	121	111	98
7-P-EVS45-7-2	Evs Vertical Pump 45-7-2 40hp	380V / 50HZ	SS304	30	H(m)	168	162	156	147	135	123	109

EVS 64 SERIES

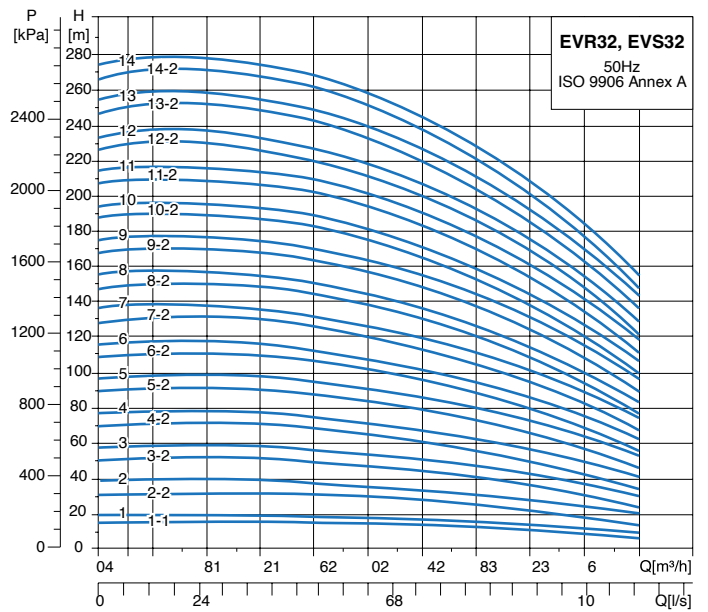
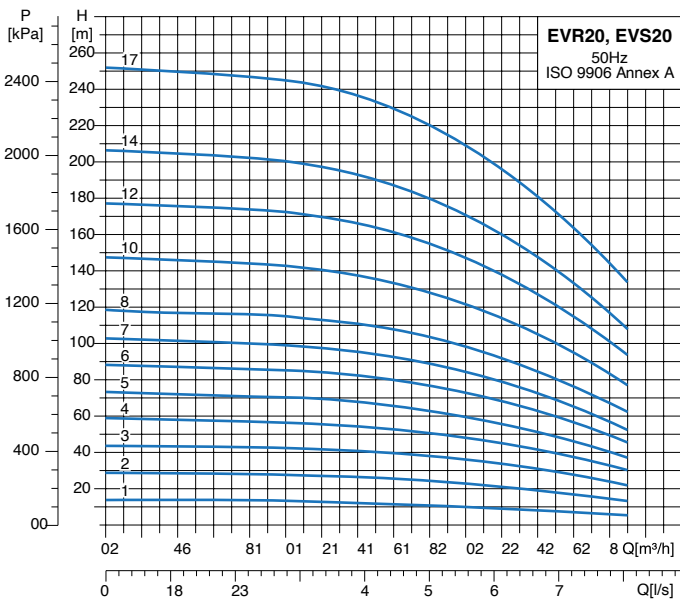
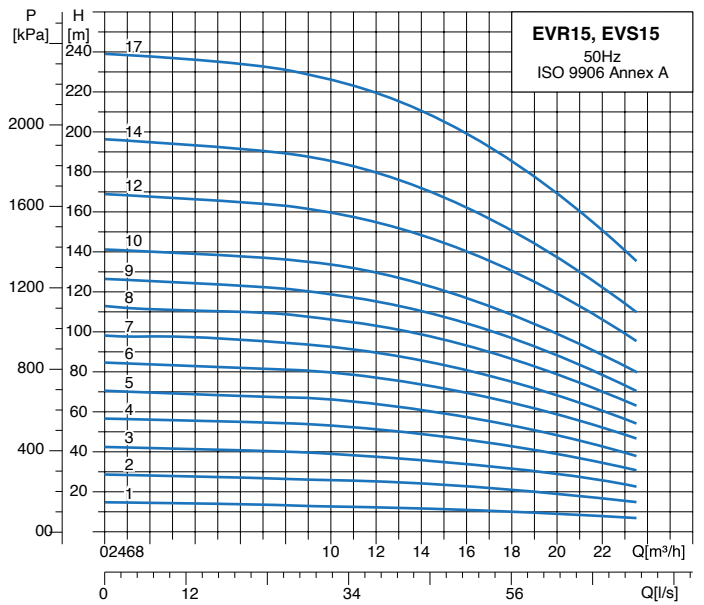
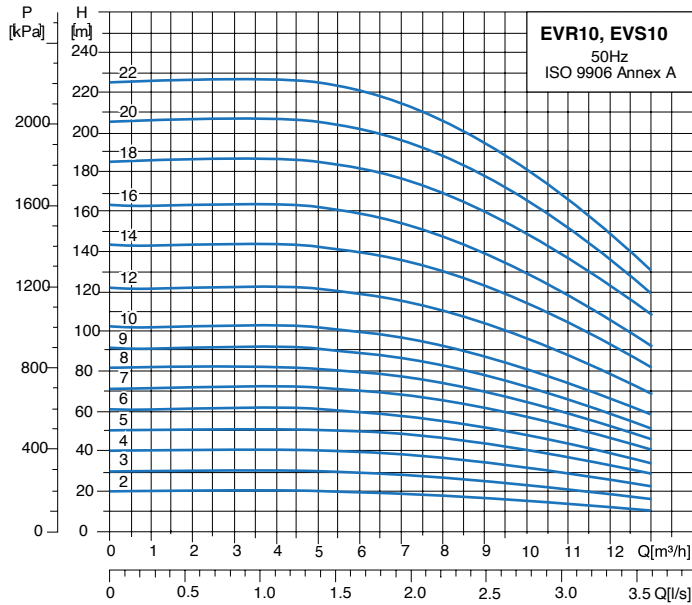
Stock Code	Product Descriptions	Volt / Frequency	Metarial	Power (kW)	Q (m³/h)	Flow (m³/h)					
						30	40	50	64	70	80
7-P-EVS64-6-2	Evs Vertical Pump 64-6-2 40hp	380V / 50HZ	SS304	11	H(m)	155	152.5	149.5	144.5	141.5	136

EVS 90 SERIES

Stock Code	Product Descriptions	Volt / Frequency	Metarial	Power (kW)	Q (m³/h)	Flow (m³/h)						
						50	60	70	80	90	100	110
7-P-EVS90-5	Evs Vertical Pump 90-5 50hp	380V / 50HZ	SS304	37	H(m)	144	136	129	121	111	101	87

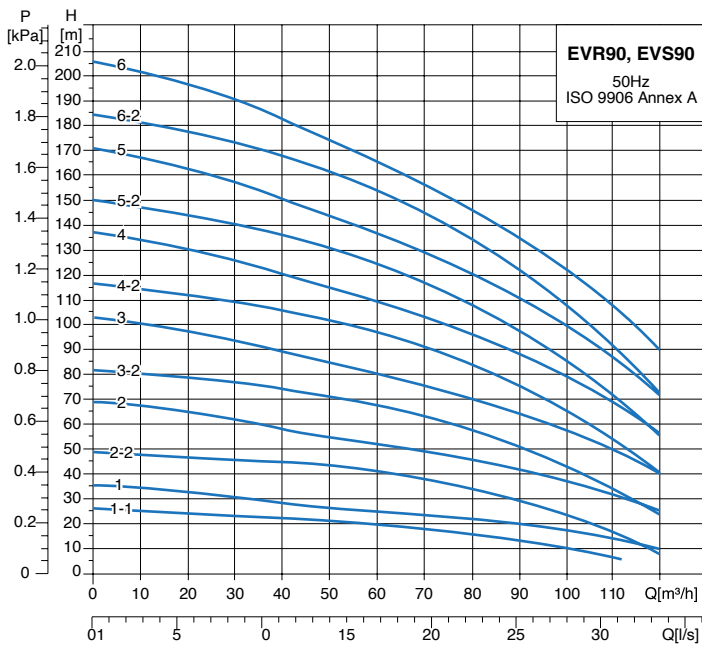
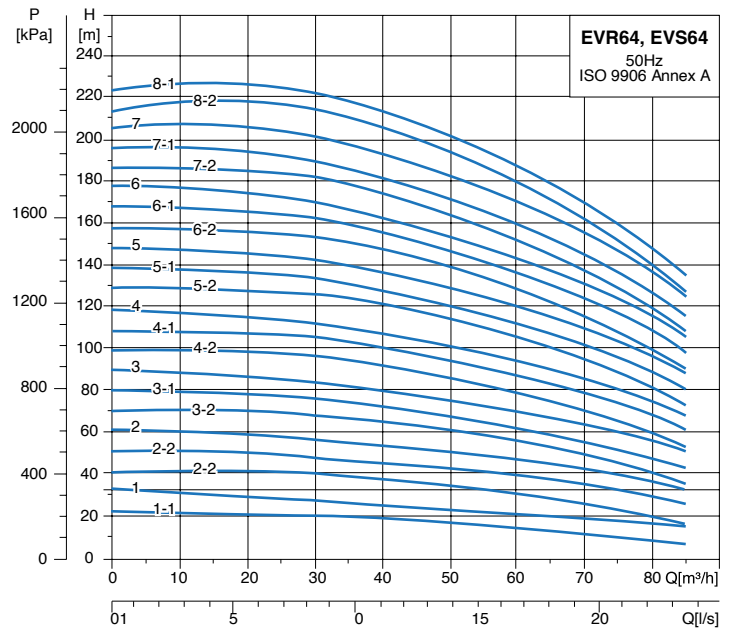
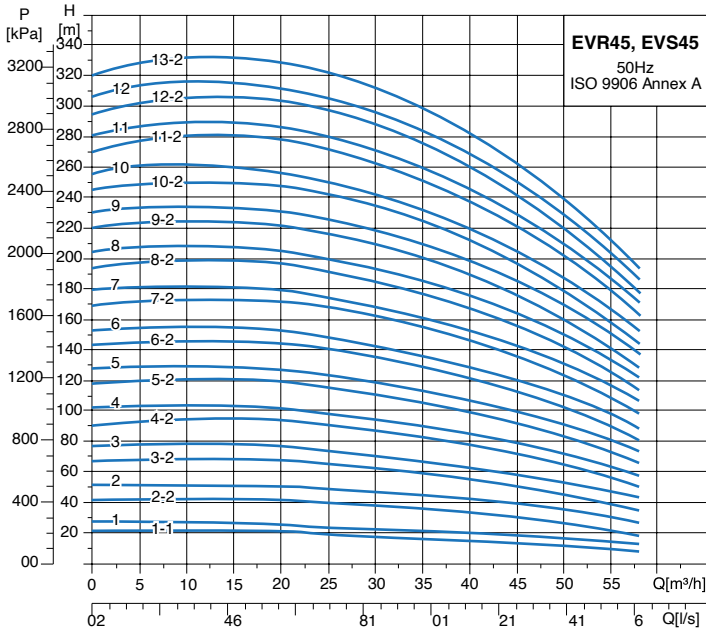


EVS SERIES PERFORMANCE GRAPHS





EVS SERIES PERFORMANCE GRAPHS





CDLF - CDL SERIES (Vertical Spindle)

4 SERIES

Stock Code	Product Descriptions	kW	hp	Flow (m³/h)						
				1.5	2	3	4	5	6	7
7-P-CNP-CDLF / CDL4-16	CDLF / CDL4-16	3	3	152	144	140	129	115	101	78

8 SERIES

Stock Code	Product Descriptions	kW	hp	Flow (m³/h)				
				6	7	8	9	10
7-P-CNP-CDLF / CDL8-12	CDLF / CDL8-12	4	5,5	120	116	111	104	92
7-P-CNP-CDLF / CDL8-14	CDLF / CDL8-14	5,5	7,5	141	136	130	122	113
7-P-CNP-CDLF / CDL8-16	CDLF / CDL8-16	5,5	7,5	161	156	148	139	130

12 SERIES

Stock Code	Product Descriptions	kW	hp	Flow (m³/h)				
				8	10	12	14	16
7-P-CNP-CDLF / CDL12-10	CDLF / CDL12-10	7,5	10	118	111	101	88	72
7-P-CNP-CDL12-14	CDL12-14	11	15	165	155	141	124	100

15 SERIES

Stock Code	Product Descriptions	kW	hp	Flow (m³/h)							
				8	10	12	14	15	16	18	22
7-P-CNP-CDL15-12	CDL15-12	11	15	160	157	152	146	142	138	128	106

20 SERIES

Stock Code	Product Descriptions	kW	hp	Flow (m³/h)				
				16	18	20	22	24
7-P-CNP-CDL20-10	CDL20-10	11	15	128	124	118	111	103
7-P-CNP-CDL20-12	CDL20-12	15	15	154	149	142	133	121

32 SERIES

Stock Code	Product Descriptions	kW	hp	Flow (m³/h)						
				16	20	24	28	32	36	36
7-P-CNP-CDL32-90	CDL32-90	18,5	?	162	156	147	136	124	109	88

65 SERIES

Stock Code	Product Descriptions	kW	hp	Flow (m³/h)				
				40	50	60	65	70
7-P-CNP-CDLF65-60-1	CDLF 65-60-1	37	50	149	138	125	117	108

85 SERIES

Stock Code	Product Descriptions	kW	hp	Flow (m³/h)				
				70	80	85	90	100
7-P-CNP-CDLF85-50	CDLF 85-50	37	50	124	115	110	106	94



CHL - CHLF SERIES (Centrifugal)



2 SERIES

Stock Code	Product Descriptions	kW	hp	Flow (m ³ /h)							
				0.5	1	1.5	2	2.5	3	3.5	
7-P-CNP-CHL2-40	CHL2-40	0,55	0,75	36	34,5	33	29	25	20,5	16	
7-P-CNP-CHL2-50	CHL2-50	0,55	0,75	45,5	43	40	36	31,5	26,5	20,5	
7-P-CNP-CHL2-60	CHL2-60	0,75	1	53,5	51	48	44	39	32	24	

12 SERIES

Stock Code	Product Descriptions	kW	hp	Flow (m ³ /h)							
				7	8	9	10	11	12	13	
7-P-CNP-CHL12-40	CHL12-40	2,4	3,3	47	46	45	43,5	41,5	39,5	37,5	
7-P-CNP-CHL12-50	CHL12-50	3	4	60	58	56,5	55	52,5	50	47	

20 SERIES

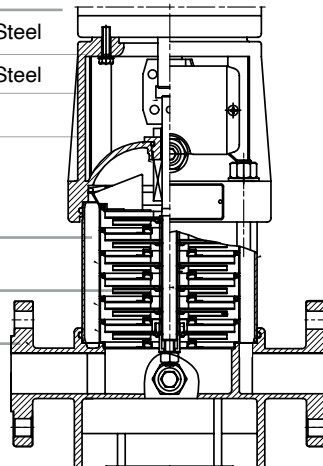
Stock Code	Product Descriptions	kW	hp	Flow (m ³ /h)							
				10	12	14	16	18	20	22	
7-P-CNP-CHL20-30	CHL20-30	4	5,5	39,5	39	38	37,5	35,5	34	31,5	

4/40 SERIES

Stock Code	Product Descriptions	kW	hp	Flow (m ³ /h)						
				1	2	3	4	5	6	7
7-P-CNP-CHLF(T)4-40	CHLF(T)4-40	0,75	1	37,5	36	34	31	27	23	19
7-P-CNP-CHLF(T)4-50	CHLF(T)4-50	1,1	1,5	47	45	42,5	39	34	29	23
7-P-CNP-CHLF(T)4-60	CHLF(T)4-60	1,1	1,5	56	54	51	47	41,5	35,5	28

	CDL	CDLF
BODY	304 Stainless Steel	304 Stainless Steel
FAN	304 Stainless Steel	304 Stainless Steel
INPUT - EXIT	Cast Iron	AISI 304
ELECTRIC	380 V.	380 V.

BODY
FAN
INPUT - EXIT





HSC WATER

HEADQUARTER / ISTANBUL

Beylikduzu OSB Dist. BAKSAV Ind. Site Karanfil Street N:3 Beylikduzu / ISTANBUL TURKEY

e-mail : info@hsc.com.tr **Telephone :** 0090 212 444 74 72